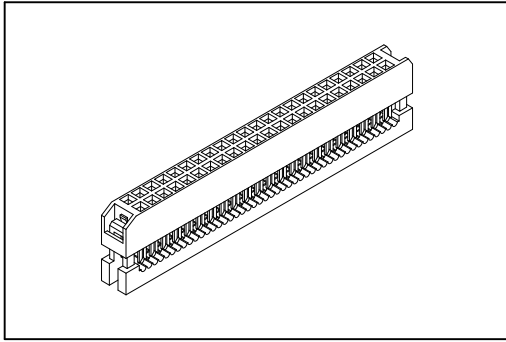


1101 Series

I.D.C. Socket 2.0mmX2.0mm(0.079"X0.079")



Material:

Housing: Thermoplastic Polyester Glass Filled UL94V-0.

Contacts: Copper Alloy.

Cable: 1.00mm(0.039") pitch flat cable.

Electrical Characteristics:

Current Rating: 1 A.

Dielectric Withstanding Voltage: AC 500V.

Insulator Resistance: 1000MΩ min.

Contact Resistance: 30mΩ max.

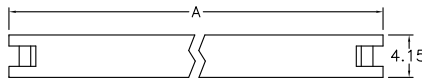
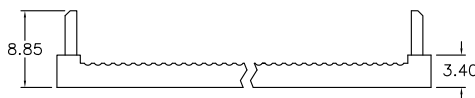
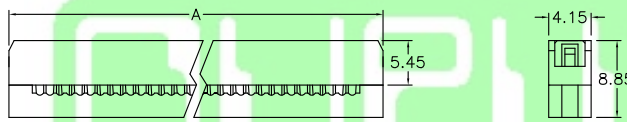
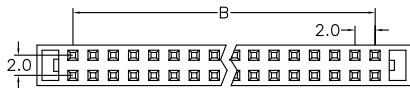
Operating Temperature: -40°C~+105°C.

Features:

* Black insulator.

* Optional polarizing bump

Mates with: 2111,2112,2113,2114,2115,3112.



Position	Dimension	
	A	B
10	15.25	8.0
12	17.25	10.0
14	19.25	12.0
16	21.25	14.0
18	23.25	16.0
20	25.25	18.0
22	27.25	20.0
24	29.25	22.0
26	31.25	24.0
30	35.25	28.0
34	39.25	32.0
40	45.25	38.0
44	49.25	42.0
50	55.25	48.0

Ordering information

1101- Series
10 No. of Pin Count
C C: Selective Gold Plated
00 00: G/F
B B: Black
1 1: With Strain Relief
 2: Without Strain Relief
A A: Tray Package

* 1101-10C00B2WBA suffix WB to identify with polarizing bump, Maybe subject to min Qt'y.