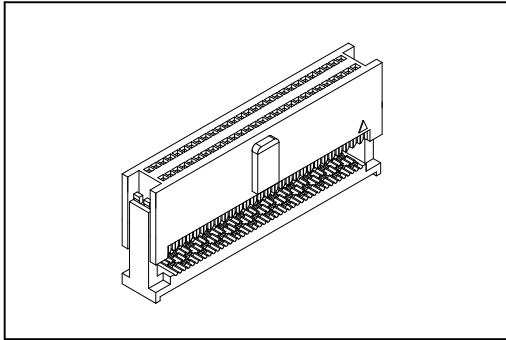


1203 Series

I.D.C. Socket 1.27mmX2.54mm(0.050"X0.100")



Material:

Housing: Thermoplastic Polyester Glass Filled UL94V-0.

Contacts: Copper Alloy.

Cable: 0.635mm(0.025") pitch flat cable.

Electrical Characteristics:

Current Rating: 1 A.

Dielectric Withstanding Voltage: AC 500V.

Insulator Resistance: 1000MΩ min.

Contact Resistance: 20mΩ max.

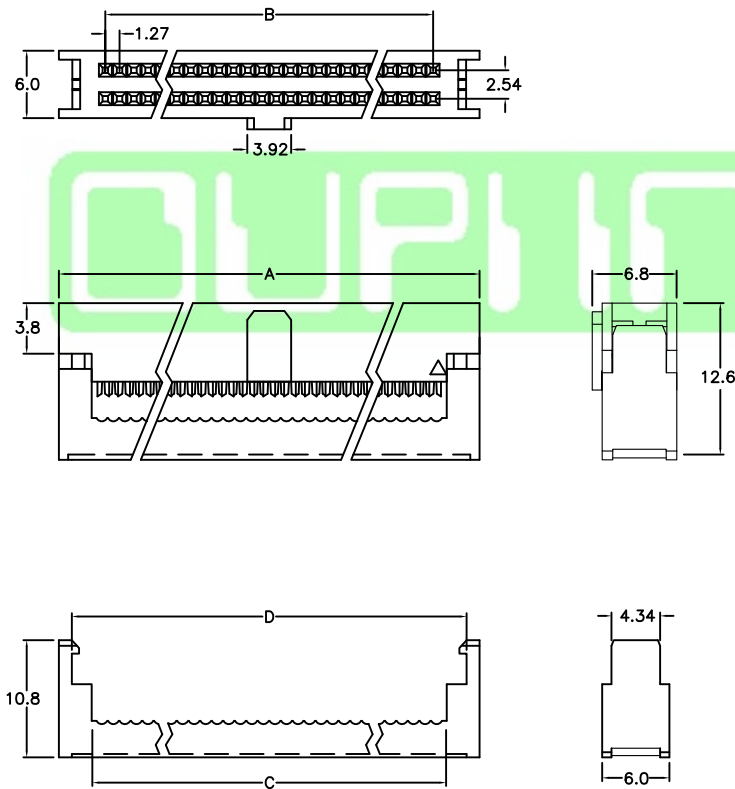
Operating Temperature: -55°C~+105°C.

Features:

* Choices of Black or Grey insulator.

* Optional polarizing bump.

Mates with: 2211,2212,2214,3213,3214,3215.



Position	Dimension			
	A	B	C	D
20	18.55	11.43	12.60	16.25
26	22.36	15.24	16.41	20.06
32	26.17	19.05	20.22	23.87
34	27.44	20.32	21.49	25.14
40	31.25	24.13	25.30	28.95
50	37.60	30.48	31.65	35.30
52	38.87	31.75	32.92	36.57
60	43.95	36.83	38.00	41.65
68	49.03	41.91	43.08	46.73
80	56.65	49.53	50.70	54.35
100	69.35	62.23	63.40	67.05

Ordering information

1203- 100 G 00 B 2 A
 Series No. of Pin Count G: Gold Plated 00: G/F B: Black *Y: Grey 2: Without Strain Relief A: Tray Package

* Standard color black and may be subject to minimum quantity request for color grey.