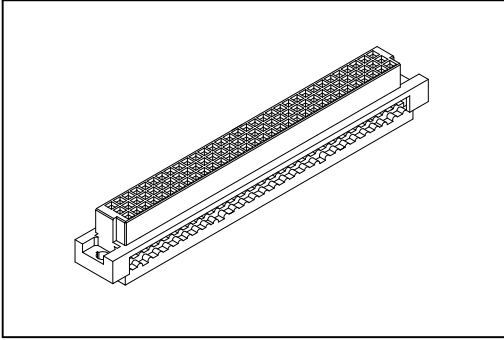


9001 Series

DIN41612 I.D.C. Type 3 Rows Female



Material:

Housing: Thermoplastic Polyester Glass Filled UL94V-0.

Contacts: Copper Alloy.

Electrical Characteristics:

Current Rating: 2 A.

Dielectric Withstanding Voltage: AC 1000V.

Insulator Resistance: 1000MΩ min.

Contact Resistance: 20mΩ max.

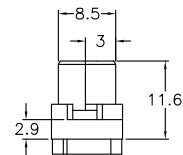
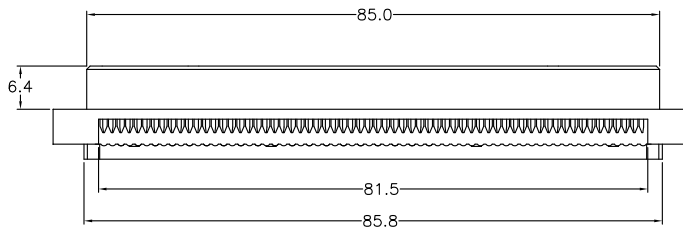
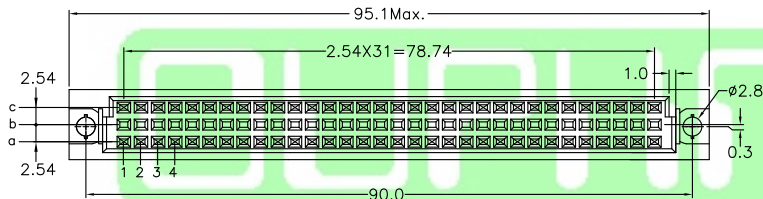
Operating Temperature: -55°C ~+125°C.

Features:

* Mates with Male 3Row

9001-1164, C Type.

9001-1364, R Type.

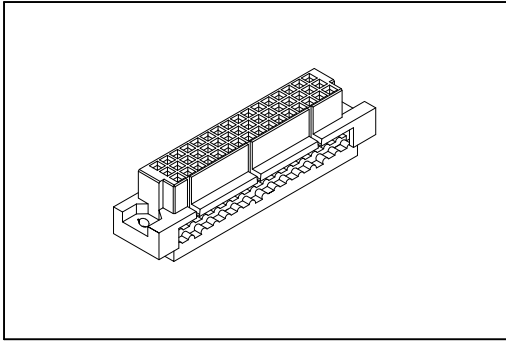


Ordering information

<u>9001-</u>	<u>1</u>	<u>2</u>	<u>64</u>	<u>IDC</u>	<u>00</u>	<u>A</u>
Series	1: 3Row Insulators For 1.27 Cable	2: Female	Position		00: G/F	A: Tray Package

9001 Series

DIN41612 I.D.C. Type 3 Rows Female



Material:

Housing: Thermoplastic Polyester Glass Filled UL94V-0.

Contacts: Copper Alloy.

Electrical Characteristics:

Current Rating: 2 A.

Dielectric Withstanding Voltage: AC 1000V.

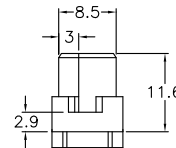
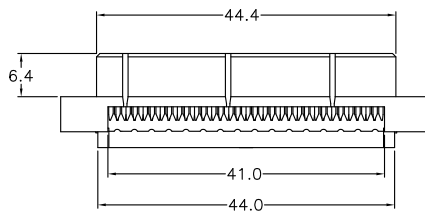
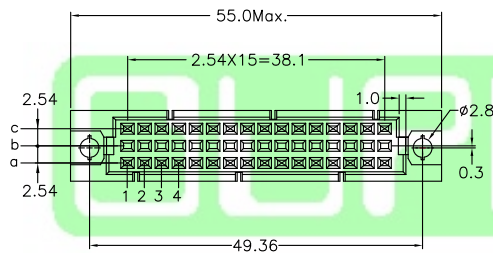
Insulator Resistance: 1000M Ω min.

Contact Resistance: 20m Ω max.

Operating Temperature: -55°C ~+125°C.

Features:

- * Mates with Male 3Row
9001-1532, Half C Type.
9001-1732, Half R Type.

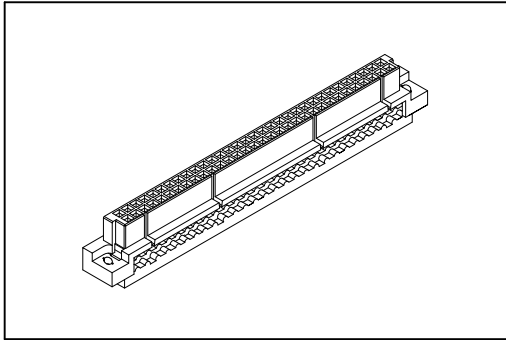


Ordering information

<u>9001-</u>	<u>1</u>	<u>6</u>	<u>32</u>	<u>IDC</u>	<u>00</u>	<u>A</u>
Series	1: 3Row Insulators For 1.27 Cable	6: Female	Position		00: G/F	A: Tray Package

9001 Series

DIN41612 I.D.C. Type 2 Rows Female



Material:

Housing: Thermoplastic Polyester Glass Filled UL94V-0.

Contacts: Copper Alloy.

Electrical Characteristics:

Current Rating: 2 A.

Dielectric Withstanding Voltage: AC 1000V.

Insulator Resistance: 1000MΩ min.

Contact Resistance: 20mΩ max.

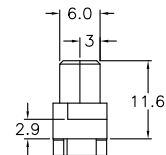
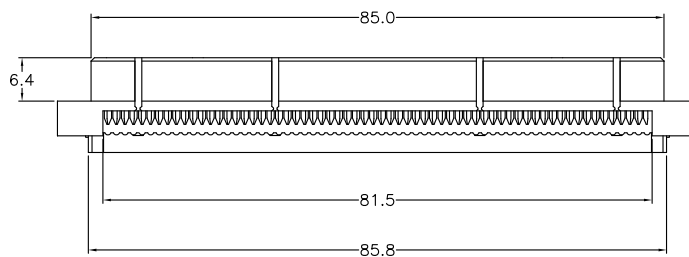
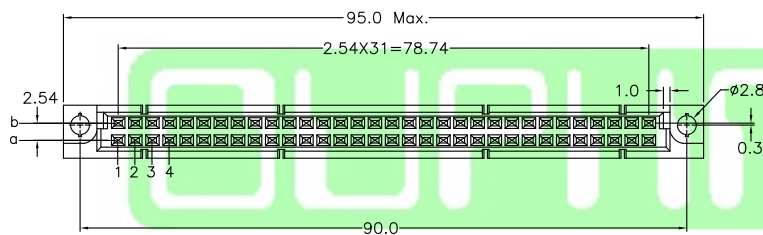
Operating Temperature: -55°C~+125°C.

Features:

* Mates with Male 2Row

9001-3164, B Type.

9001-3364, Q Type.

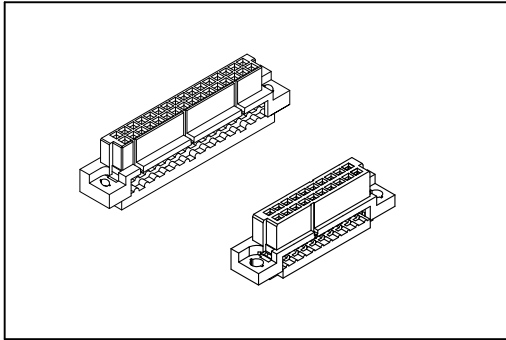


Ordering information

<u>9001-</u>	<u>3</u>	<u>2</u>	<u>64</u>	<u>IDC</u>	<u>00</u>	<u>A</u>
Series	3: 2Row Insulators For 1.27 Cable	2: Female	Position		00: G/F	A: Tray Package

9001 Series

DIN41612 I.D.C. Type 2 Rows Female



Material:

Housing: Thermoplastic Polyester Glass Filled UL94V-0.

Contacts: Copper Alloy.

Electrical Characteristics:

Current Rating: 2 A.

Dielectric Withstanding Voltage: AC 1000V.

Insulator Resistance: 1000MΩ min.

Contact Resistance: 20mΩ max.

Operating Temperature: -55°C ~+125°C.

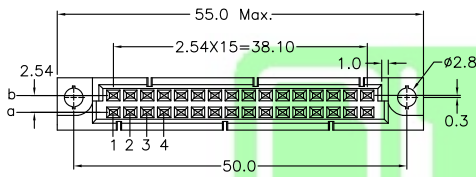
Features:

* Mates with Male 2Row

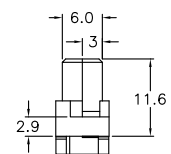
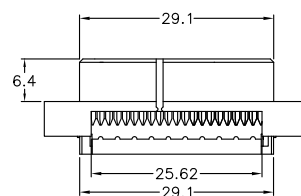
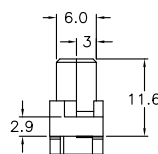
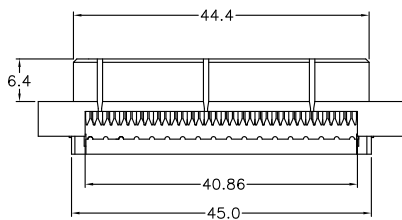
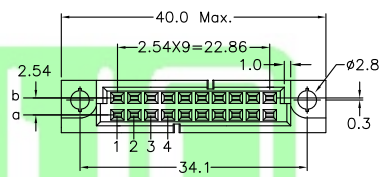
9001-3532,9001-3520

9001-3732,9001-3720

32 PIN



20 PIN



Ordering information

9001-

Series

3

3: 2Row Insulators
For 1.27 Cable

6

6: Female

32

32: 32 Position
20: 20 Position

IDC

00

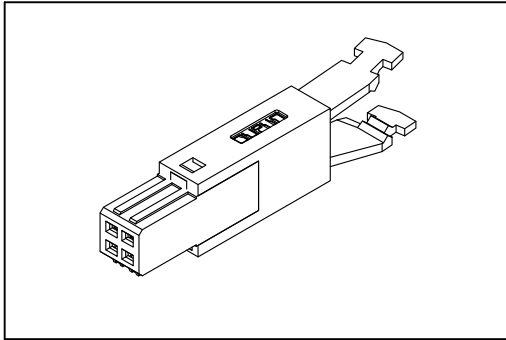
00: G/F

A

A: Tray Package

9001 Series

2.54mm(0.100") Female Cable Connector IDC Type



Material:

Housing: Thermoplastic Polyester Glass Filled UL94V-0.

Contacts: Copper Alloy.

Electrical Characteristics:

Current Rating: 2 A.

Dielectric Withstanding Voltage: AC 1000V.

Insulator Resistance: 1000M Ω min.

Contact Resistance: 20m Ω max.

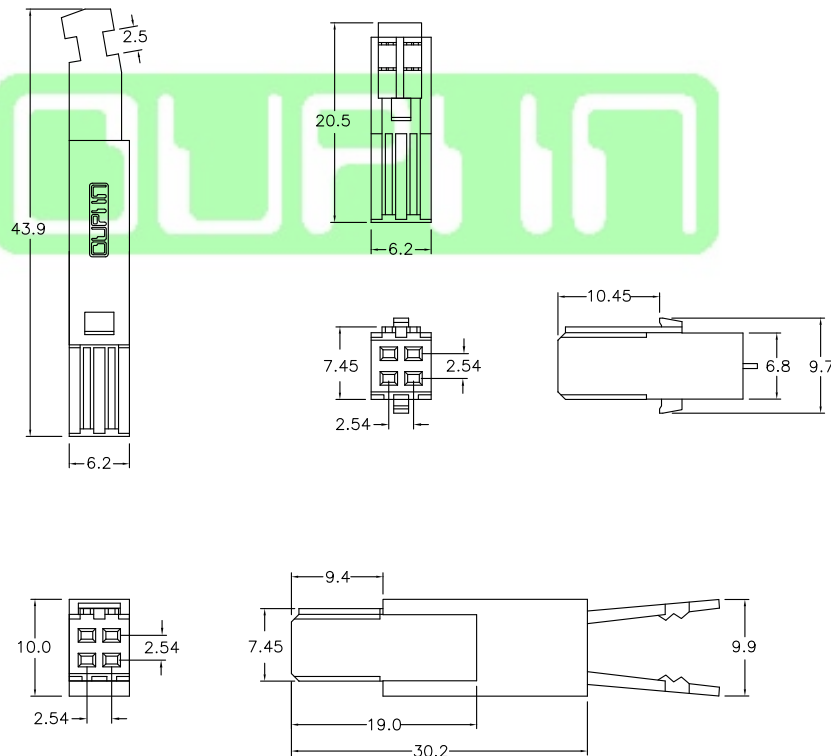
Operating Temperature: -55 $^{\circ}$ C ~+125 $^{\circ}$ C.

Features:

*Wire Size

G1: AWG 24 Cable (Body Color Grey).

G2: AWG 30 Cable (Body Color White).

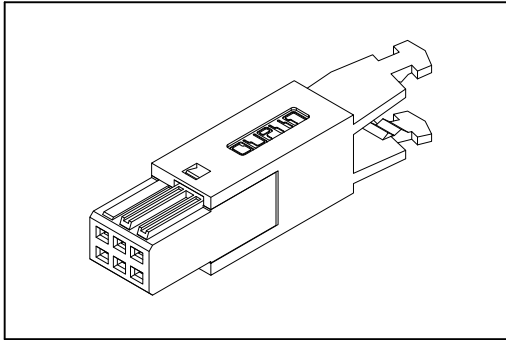


Ordering information

<u>9001-</u>	<u>8</u>	<u>2</u>	<u>04</u>	<u>C</u>	<u>10</u>	<u>G1</u>	<u>A</u>
Series	8: Female 2.54mm	2: I.D.C. Type	Position	C: Selective Gold Plated	10: 10 μ "	See Above Wire Size	A: Tray Package

9001 Series

2.54mm(0.100") Female Cable Connector IDC Type



Material:

Housing: Thermoplastic Polyester Glass Filled UL94V-0.

Contacts: Copper Alloy.

Electrical Characteristics:

Current Rating: 2 A.

Dielectric Withstanding Voltage: AC 1000V.

Insulator Resistance: 1000MΩ min.

Contact Resistance: 20mΩ max.

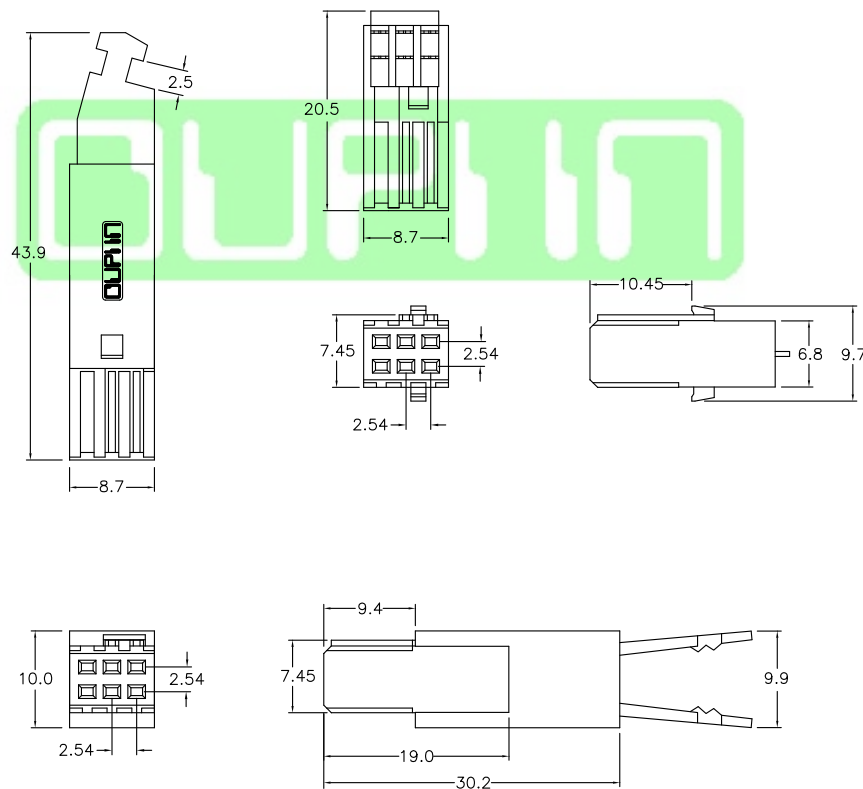
Operating Temperature: -55°C ~+125°C.

Features:

*Wire Size

G1: AWG 24 Cable (Body Color Grey).

G2: AWG 30 Cable (Body Color White).

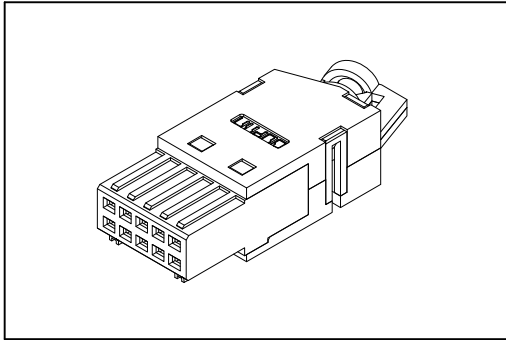


Ordering information

<u>9001-</u>	<u>8</u>	<u>2</u>	<u>06</u>	<u>C</u>	<u>10</u>	<u>G1</u>	<u>A</u>
Series	8: Female 2.54mm	2: I.D.C. Type	Position	C: Selective Gold Plated	10: 10 μ"	See Above Wire Size	A: Tray Package

9001 Series

2.54mm(0.100") Female Cable Connector IDC Type



Material:

Housing: Thermoplastic Polyester Glass Filled UL94V-0.

Contacts: Copper Alloy.

Electrical Characteristics:

Current Rating: 2 A.

Dielectric Withstanding Voltage: AC 1000V.

Insulator Resistance: 1000M Ω min.

Contact Resistance: 20m Ω max.

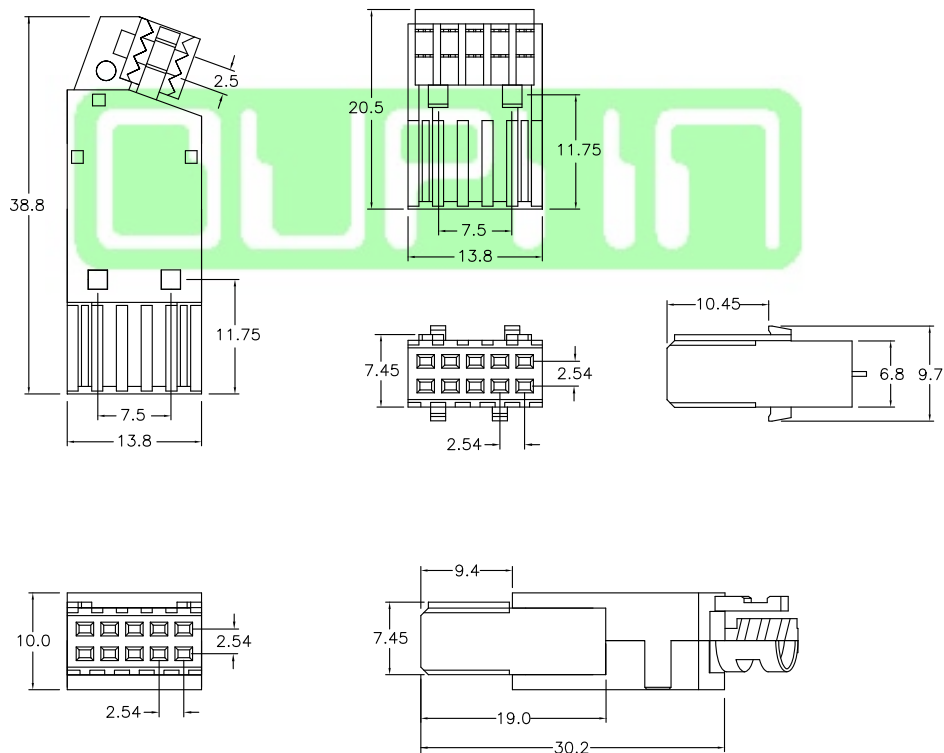
Operating Temperature: -55°C ~+125°C.

Features:

*Wire Size

G1: AWG 24 Cable (Body Color Grey).

G2: AWG 30 Cable (Body Color White).

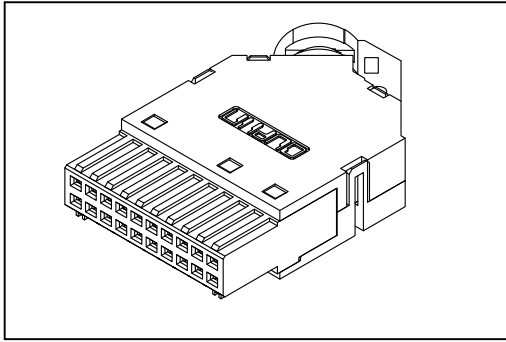


Ordering information

<u>9001-</u>	<u>8</u>	<u>2</u>	<u>10</u>	<u>C</u>	<u>10</u>	<u>G1</u>	<u>A</u>
Series	8: Female 2.54mm	2: I.D.C. Type	Position	C: Selective Gold Plated	10: 10 μ "	See Above Wire Size	A: Tray Package

9001 Series

2.54mm(0.100") Female Cable Connector IDC Type



Material:

Housing: Thermoplastic Polyester Glass Filled UL94V-0.

Contacts: Copper Alloy.

Electrical Characteristics:

Current Rating: 2 A.

Dielectric Withstanding Voltage: AC 1000V.

Insulator Resistance: 1000MΩ min.

Contact Resistance: 20mΩ max.

Operating Temperature: -55°C ~+125°C.

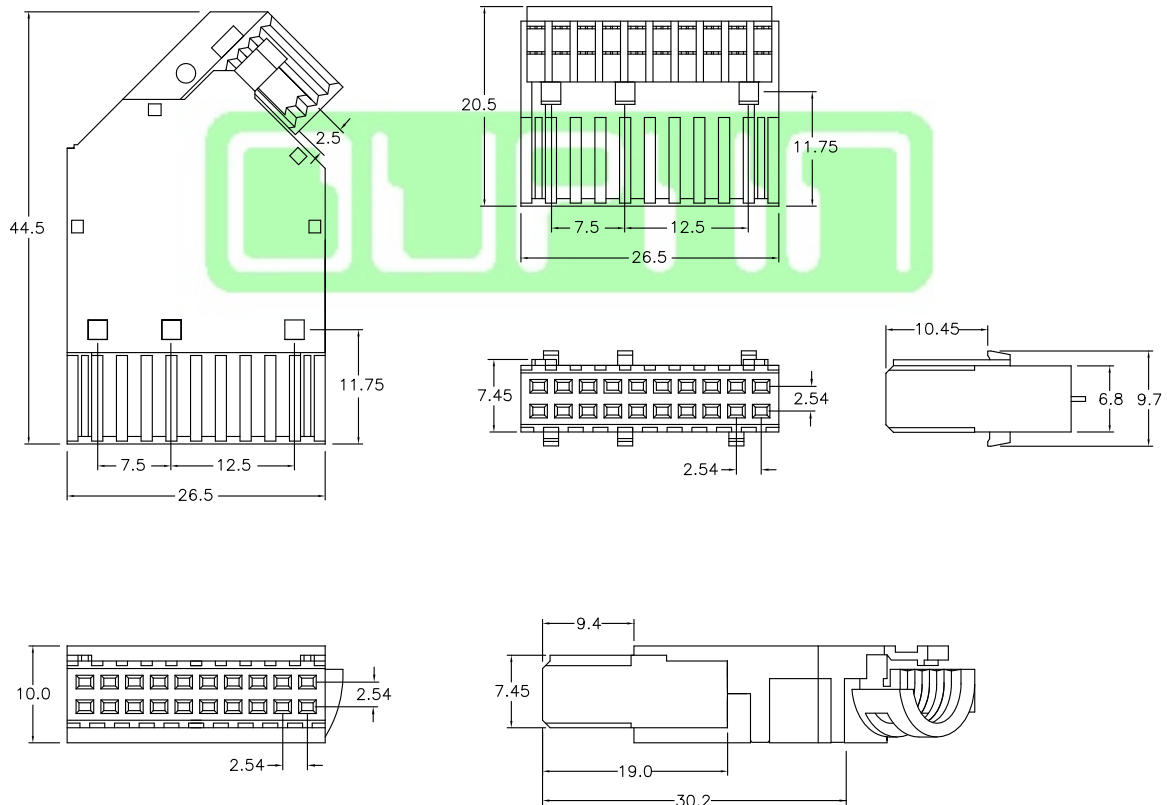
Features:

*Wire Size

G1: AWG 24 Cable (Body Color Grey).

G2: AWG 30 Cable (Body Color White).

G3: AWG 26 Cable (Body Color Black).

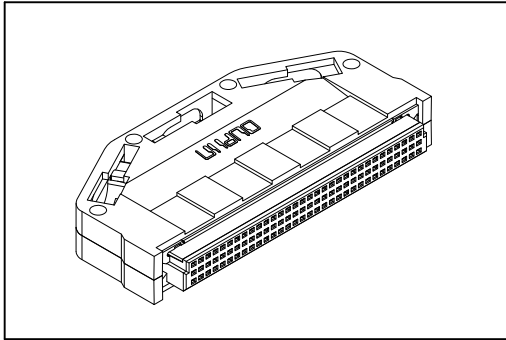


Ordering information

<u>9001-</u>	<u>8</u>	<u>2</u>	<u>20</u>	<u>C</u>	<u>10</u>	<u>G1</u>	<u>A</u>
Series	8: Female 2.54mm	2: I.D.C. Type	Position	C: Selective Gold Plated	10: 10 μ"	See Above Wire Size	A: Tray Package

9001 Series

2.54mm(0.100") Female Cable Connector IDC Type



Material:

Housing: Thermoplastic Polyester Glass Filled UL94V-0.

Contacts: Copper Alloy.

Body: Thermoplastic Polyester Glass Filled UL94V-0.

Electrical Characteristics:

Current Rating: 2 A.

Dielectric Withstanding Voltage: AC 1000V.

Insulator Resistance: 1000MΩ min.

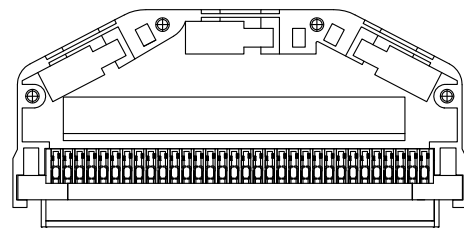
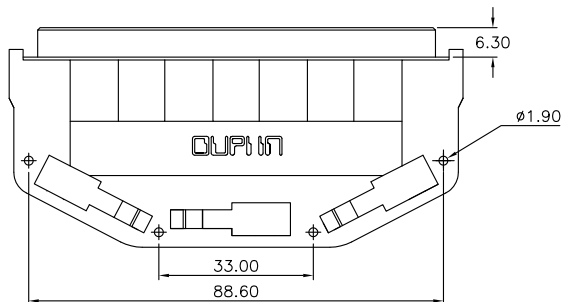
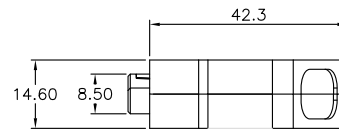
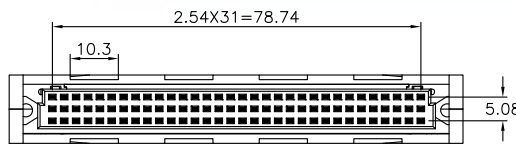
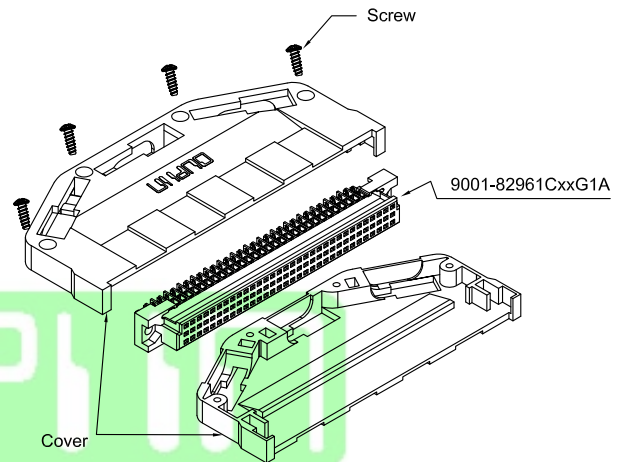
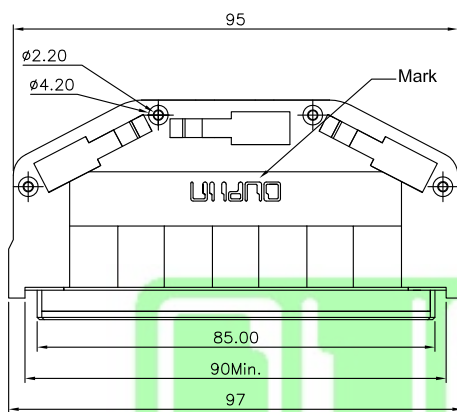
Contact Resistance: 20mΩ max.

Operating Temperature: -55°C ~+125°C.

Features:

*Wire Size

G1: AWG 24 Cable (Body Color Grey).



Ordering information

9001-	8	2	96	C	10	G1	C1	A
Series	8: Female 2.54mm	2: I.D.C. Type	Position	C: Selective Gold Plated	10: 10 μ"	See Above Wire Size	Blank: Without Cover C1: With Cover With Mark C2: With Cover Without Mark	A: Tray Package