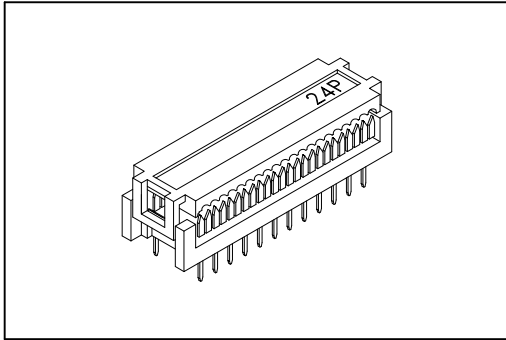


# 6016 Series

## Dip Plug 2.54mm(0.100")



### Material:

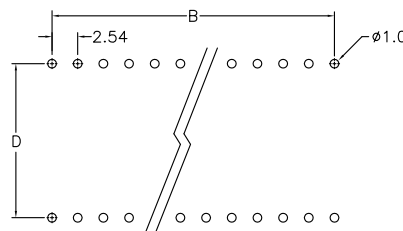
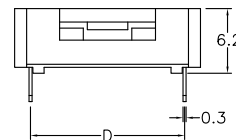
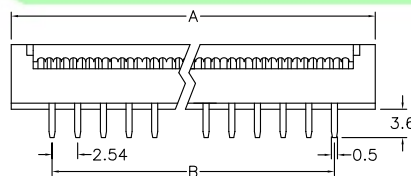
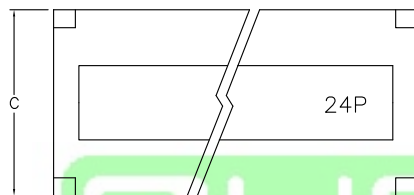
Housing: Thermoplastic Polyester Glass Filled UL94V-0.  
 Contacts: Copper Alloy.  
 Cable: 1.27mm (0.050) pitch flat cable.

### Electrical Characteristics:

Current Rating: 1 A.  
 Dielectric Withstanding Voltage: AC 500V.  
 Insulator Resistance: 1000MΩ min.  
 Contact Resistance: 20mΩ max.  
 Operating Temperature: -55°C~+105°C.

### Features:

- \* Recommended 28AWG 1.27mm(0.05" ) flat cable.
- \* Plug directly into PCB.
- \* 8,10,14,16,18,20 pin in 2.54mmX7.62mm center.
- \* 24,28,32,40 pin in 2.54mmX15.24mm.
- \* Additional plating options available.



P.C. Board Layout

Position	Dimension			
	A	B	C	D
8	14.25	7.62	10.60	7.62
10	16.68	10.16	10.60	7.62
14	22.70	15.24	10.60	7.62
16	25.10	17.78	10.60	7.62
18	26.92	20.32	10.60	7.62
20	29.70	22.86	10.60	7.62
24	34.78	27.94	18.18	15.24
28	39.92	32.78	18.18	15.24
32	44.40	37.86	18.18	15.24
40	55.20	48.26	18.18	15.24

## Ordering information

**6016-** Series   
 **40** No. of Pin Count   
 **C** C: Selective Gold Plated   
 **00** 00: G/F   
 **B** B: Black   
 **A** A: Tray Package   
 Y: Grey