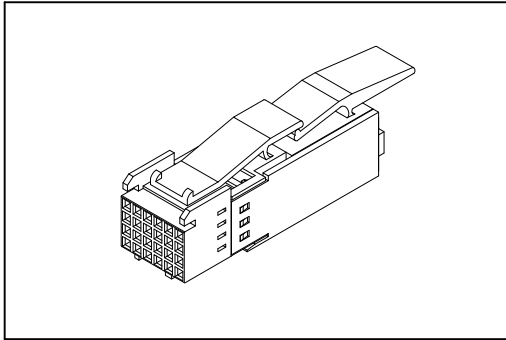


# 9111 Series

## H.D. 2.0mm(0.079") Female Cable Connector IDC Type 4 Rows



### Material:

Housing: Thermoplastic Polyester Glass Filled UL94V-0.

Contacts: Copper Alloy.

### Electrical Characteristics:

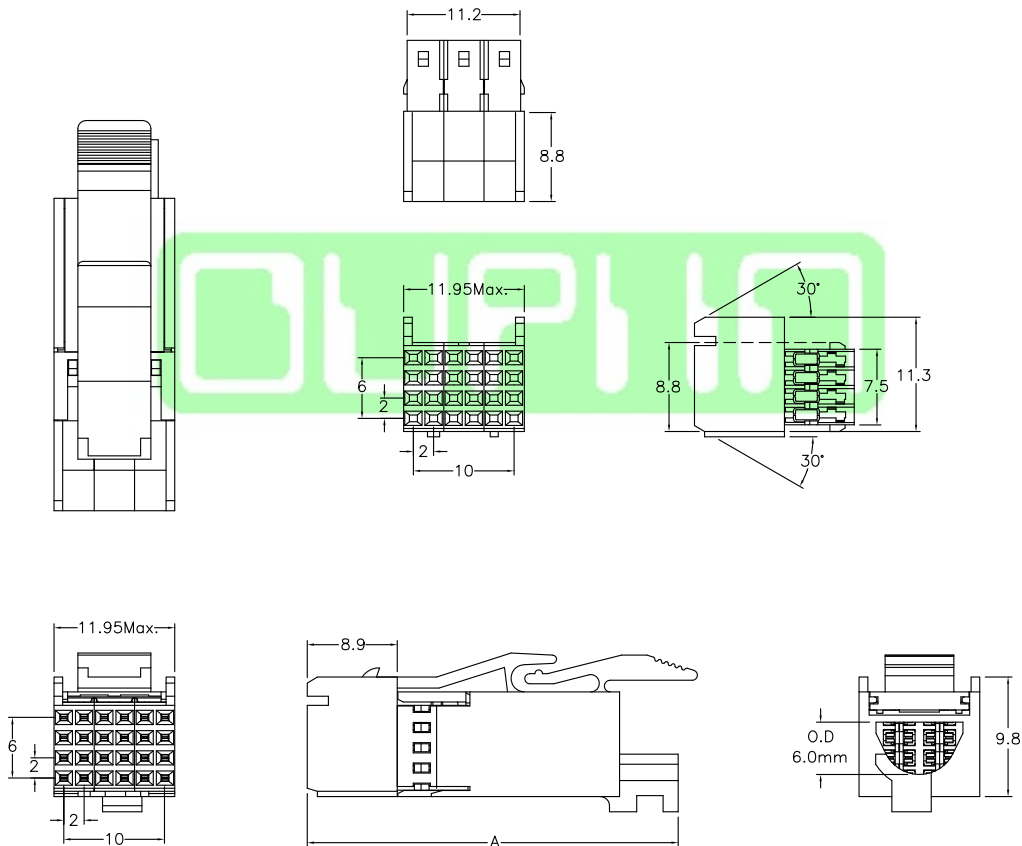
Current Rating: 2 A.

Dielectric Withstanding Voltage: AC 1000V.

Insulator Resistance: 1000MΩ min.

Contact Resistance: 20mΩ max.

Operating Temperature: -55°C ~+125°C.



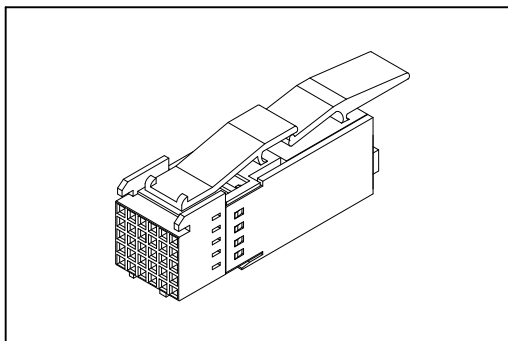
Code	AWG	A
G1	28~30	36.7
G2	28~30	42.7
G3	24~26	36.7
G4	24~26	42.7

## Ordering information

9111- 4 8 24 C 10 G1 B  
 Series 4: 4Rows 8: I.D.C. Type Position C: Selective Gold Plated 10: 10 μ" See Above B: Bulk Package

# 9111 Series

## H.D. 2.0mm(0.079") Female Cable Connector IDC Type 5Rows



### Material:

Housing: High Temperature Plastic UL94V-0.

Contacts: Copper Alloy.

### Electrical Characteristics:

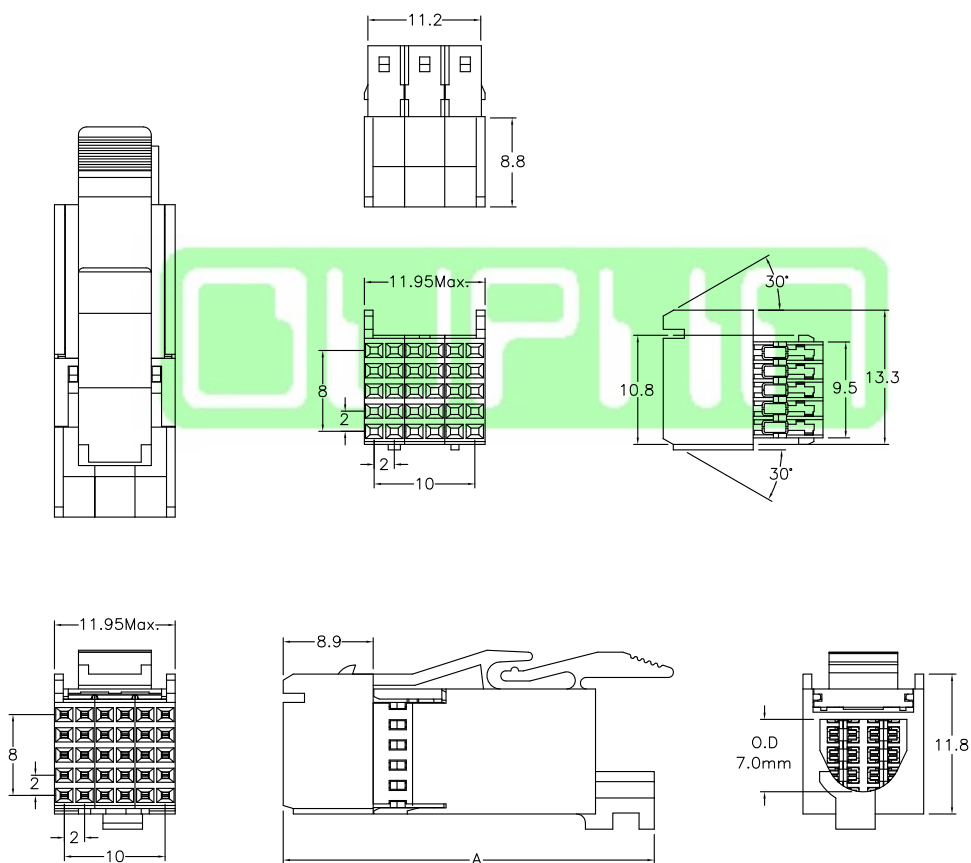
Current Rating: 2 A.

Dielectric Withstanding Voltage: AC 1000V.

Insulator Resistance: 1000MΩ min.

Contact Resistance: 20mΩ max.

Operating Temperature: -55°C ~+125°C .



Code	AWG	A
G1	28~30	36.7
G2	28~30	42.7
G3	24~26	36.7
G4	24~26	42.7

## Ordering information

9111-

Series

5

5: 5Rows

8

8: I.D.C. Type

30

Position

C

C: Selective Gold Plated

10

10: 10 μ"

G1

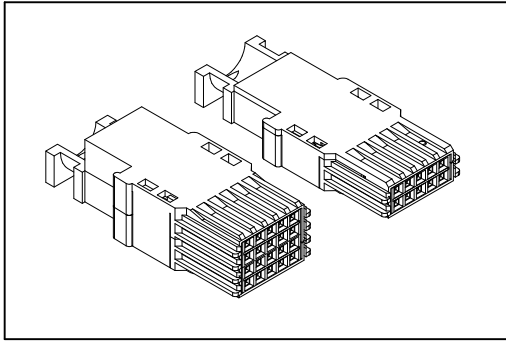
See Above

B

B: Bulk Package

# 9111 Series

## Female Cable Connector I.D.C. Type 5 Rows



### Features:

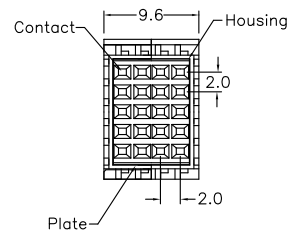
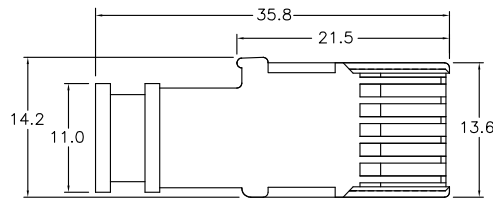
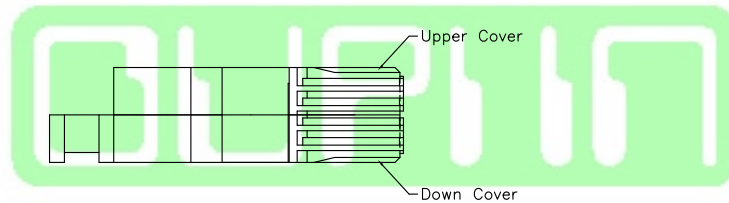
- \* Wire Size
- G1:AWG 24-26
- G2:AWG 28-30

### Material:

Housing:High Temperature Plastic UL94V-0.  
Cover:High Temperature Plastic UL94V-0.  
Cover Plate:High Temperature Plastic UL94V-0.  
Contacts: Copper Alloy.

### Electrical Characteristics:

Current Rating: 2 A.  
Dielectric Withstanding Voltage: AC 1000V.  
Insulator Resistance: 1000MΩ min.  
Contact Resistance: 20mΩ max.  
Operating Temperature: -55°C ~+125°C.



## Ordering information

<u>9111-</u> Series	<u>7</u> For 7Rows Use	<u>8</u> I.D.C Type	<u>20</u> Position (10,20)	<u>C</u> C: Selective Gold Plated	<u>10</u> 10: 10 μ"	<u>G1</u> Wire Size G1: AWG 24~26 G2: AWG 28~30	<u>B</u> B: Bulk Package
------------------------	---------------------------	------------------------	-------------------------------	---	------------------------	--	--------------------------------