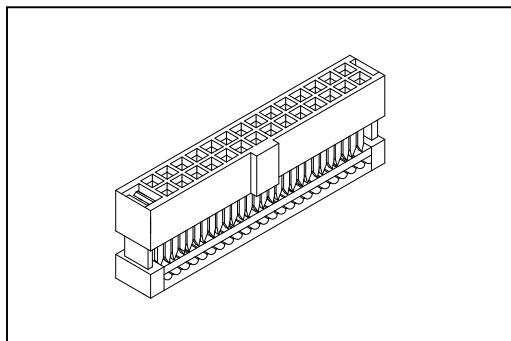


# 1204 Series

I.D.C. Socket 1.27mmX1.27mm(0.05"x0.05")



## Material:

Housing: Thermoplastic Polyester Glass Filled UL94V-0.

Contacts: Copper Alloy.

Cable: 0.635mm(0.02")Pitch Flat Cable.

## Electrical Characteristics:

Current Rating: 0.5 A.

Dielectric Withstanding Voltage: AC 250V.

Insulator Resistance: 1000MΩ min.

Contact Resistance: 30mΩ max.

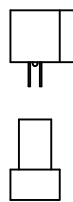
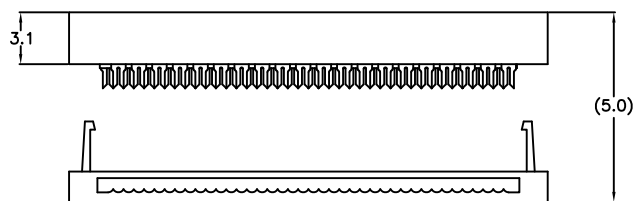
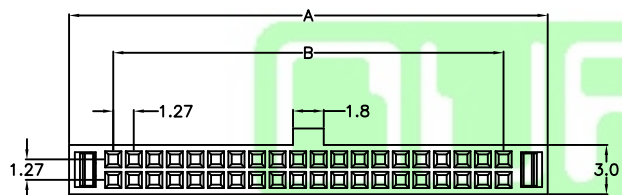
Operating Temperature: -40°C~+105°C.

## Features:

\* Black insulator.

\* Optional polarizing bump.

Mates with: 2215.



Position	Dimension	
	A	B
6	8.01	2.54
8	9.28	3.81
10	10.55	5.08
12	11.82	6.35
14	13.09	7.62
16	14.36	8.89
20	16.90	11.43
22	18.17	12.70
24	19.44	13.97
26	20.71	15.24
30	23.25	17.78
32	24.52	19.05
34	25.79	20.32
36	27.06	21.59
40	29.60	24.13
44	32.14	26.67
50	35.95	30.48
60	42.30	36.83
64	44.84	39.37
68	47.38	41.91
80	55.00	49.53

## Ordering information

1204-

Series

80

No. of  
Pin Count

G

G: Gold Plated

00

00: G/F

B

B: Black

2

2: Without Strain Relief

A

A: Tray Package