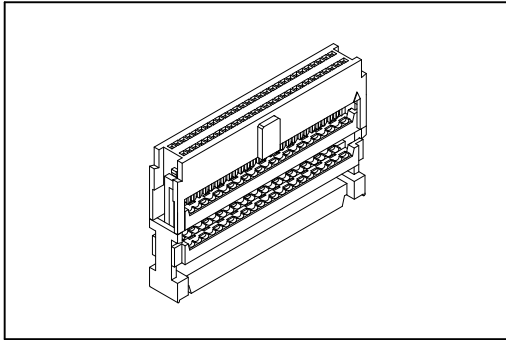


1202 Series

I.D.C. Socket 1.27mmX2.54mm(0.050"X0.100")



Material:

Housing: Thermoplastic Polyester Glass Filled UL94V-0.

Contacts: Copper Alloy.

Cable: 1.27mm(0.050") pitch flat cable.

Electrical Characteristics:

Current Rating: 1 A.

Dielectric Withstanding Voltage: AC 500V.

Insulator Resistance: 1000MΩ min.

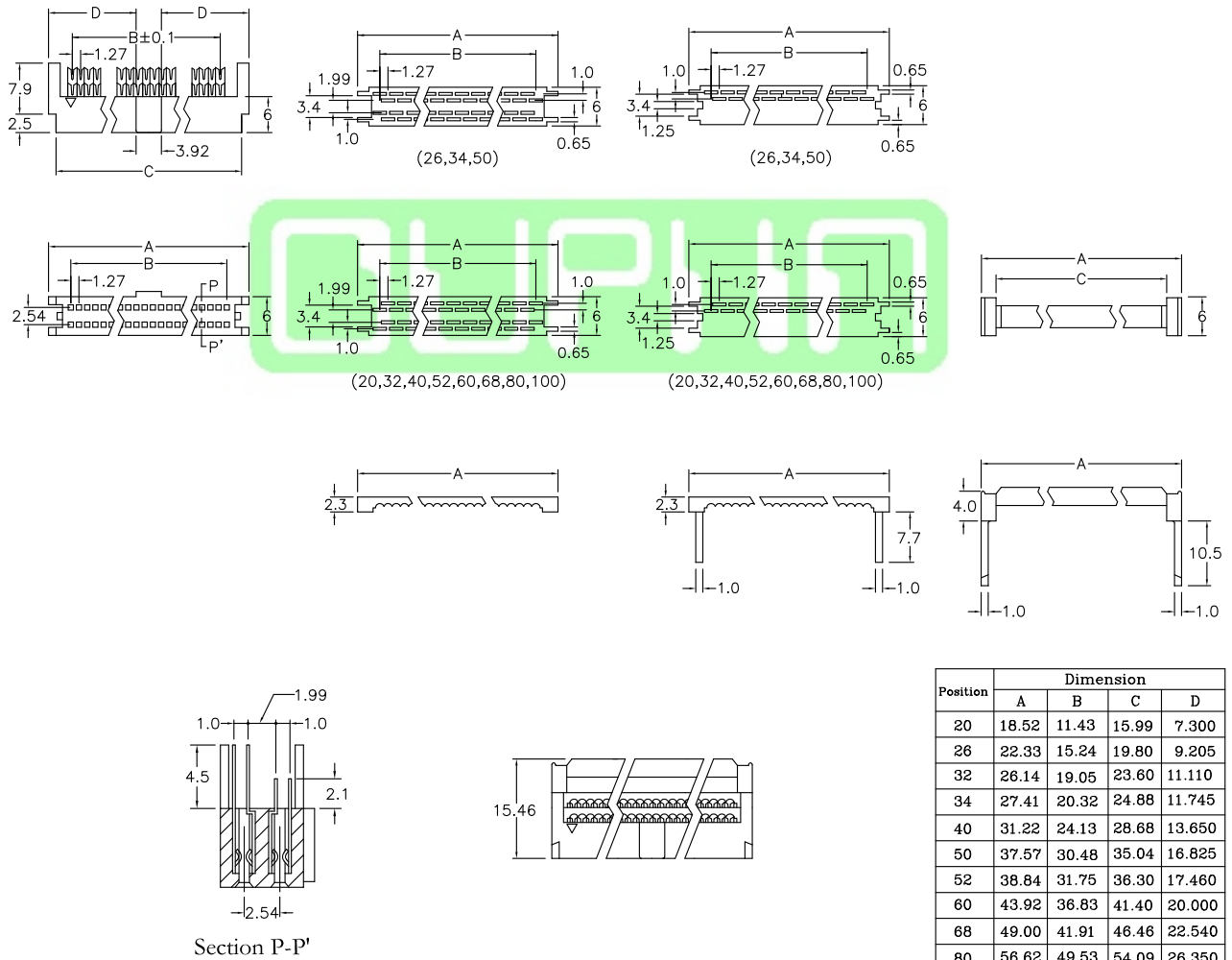
Contact Resistance: 20mΩ max.

Operating Temperature: -55°C~+105°C.

Features:

- * Optional strain relief.
- * Choices of Black or Grey insulator.
- * Optional polarizing bump.

Mates with: 2211,2212,2214,3213,3214,3215.



Ordering information

1202- 100 G 00 B 1 A
 Series No. of Pin Count G: Gold Plated 00: G/F B: Black *Y: Grey 1: With Strain Relief 2: Without Strain Relief A: Tray package

* Standard color black and maybe subject to minimum quantity request for color grey.