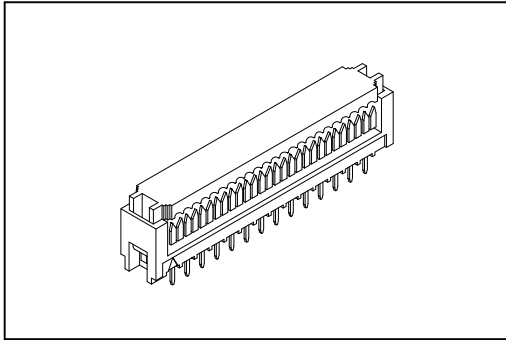


# 6011 Series

## Transition Plug 2.54mmX2.54mm(0.100"X0.100")



### Material:

Housing: Thermoplastic Polyester Glass Filled UL94V-0.

Contacts: Copper Alloy.

Cable: 1.27mm(0.050") pitch flat cable.

### Electrical Characteristics:

Current Rating: 1 A.

Dielectric Withstanding Voltage: AC 500V.

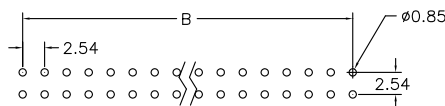
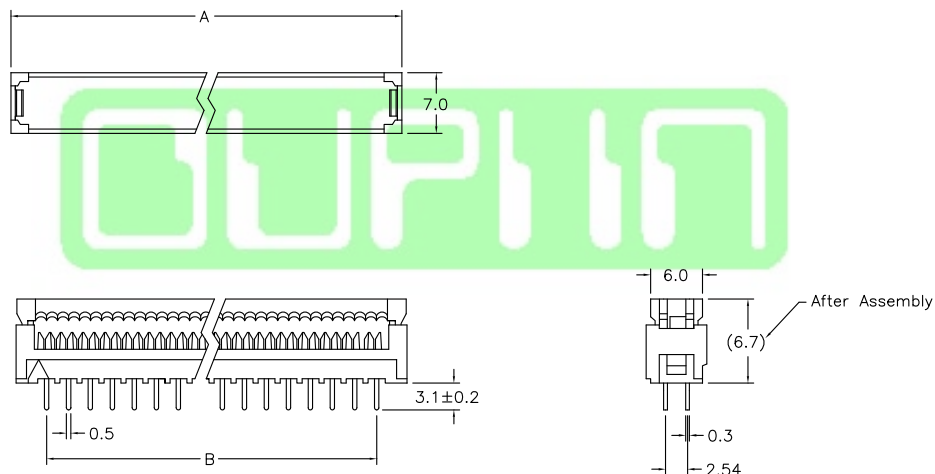
Insulator Resistance: 1000MΩ min.

Contact Resistance: 20mΩ max.

Operating Temperature: -55°C~+105°C.

### Features:

- \* Fast connection of flat cable to PC board.
- \* Recommended 28AWG 1.27mm(0.05") flat cable.
- \* Plug directly into 2.54mmX2.54mm PC board.
- \* Additional plating options available.



P.C. Board Layout

Position	Dimension	
	A	B
10	17.18	10.16
14	22.26	15.24
16	24.80	17.78
20	29.88	22.86
26	37.50	30.48
30	42.58	35.56
32	45.12	38.10
34	47.66	40.64
40	55.28	48.26
50	67.98	60.96
60	80.68	73.66
64	85.76	78.74

## Ordering Information

6011-

Series

60

No. of  
Pin Count

C

C: Selective Gold Plated

00

00: G/F

B

B: Black  
Y: Grey

A

A: Tray Package