

Lesley Wheel Memorial Scholarship

DESIGN PROJECT NO. 17: Children's Table Lamp

REGISTRATION PROCEDURE

To register, visit our website at <http://dlfla.org/scholarship.html>. All registration forms must be submitted by **April 26, 2015**. There is no charge to register for the competition.

The Challenge

- Design and build a prototype of a table lamp that will appeal to young children 5-10 years of age
- Lamp must have two modes of operation: Normal Lamp and Nightlight.
- (1) LED Medium Screw Base, 9.5 to 13.5 3000k ("warm white") watt lamp shall be used for "Normal" illumination
- (1) Incandescent Candelabra Base, 4 to 7 watt, C-7, lamp shall be used for "Nightlight" illumination
- The table lamp must be able to switch lamps separately creating general illumination with the LED lamp and a "nightlight" mode with the Incandescent lamp.
- Create sales and technical sheets for your fixture

LED:



Incandescent:

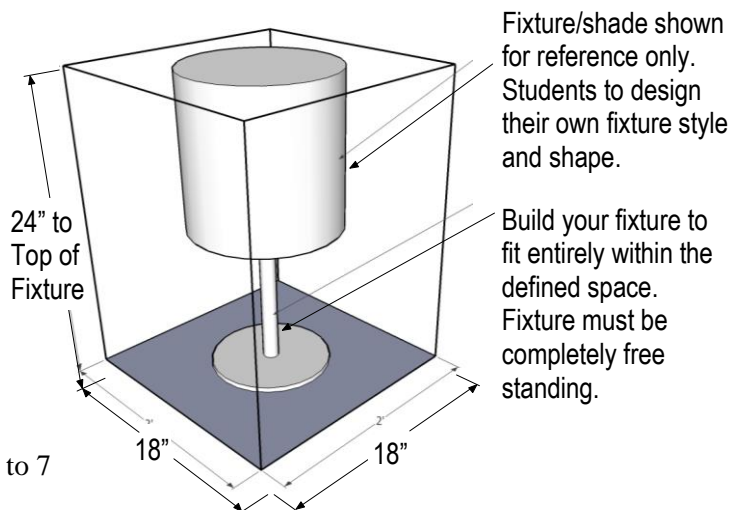


Design Intent

Students are challenged to build a functioning prototype of a **Children's Table Lamp** fixture with two light sources. Your fixture should be able to switch the lamps separately to create two different lighting modes: normal illumination and nightlight. Please remember the design intent while designing your fixture, and be sure to design your lamp shade or shielding accordingly.

Fixture Requirements:

- Size Restrictions: Prototype fixtures may not exceed the following dimensions: 18" x 18" square footprint x 24" high, and must be completely free standing. Fixture may not exceed 10 lbs weight. Remember, this is a children's table lamp, so scale and durability should be considered.
- Table Lamp must utilize (1) LED Medium Screw Base, 9.5 to 13.5 watt lamp.
- Table lamp must also utilize (1) Incandescent, 4 to 7 watt max., C-7, typical "nightlight" lamp.
- Prototype must have **ONLY ONE POWER CORD AND PLUG** (minimum 6'-0" long).
- Prototype must have a switch either on the fixture or on the cord, within 12" of the fixture. The fixtures will be judged while on a table, it is important that the judges can easily switch the lights on and off without reaching under the table.
- Prototype fixture must be provided with a non-grounded male Edison plug (2-prong). To be able to switch lamps separately, students can either use a 3-position switch or simply use (2) wires with inline switches. All wiring connections must be made safe. Fixtures with exposed conductors will be disqualified. (hint: because the lamps are low wattage, you can use a smaller gauge lamp wire with a snap-on rotary in-line switch, and snap-on ungrounded plug – both available at your home improvement store)
- Prototypes are not intended to operate for extended periods of time. They will be illuminated briefly for judging. Still, be careful with your material selections – these lamps may be hot enough to melt some materials.
- The table lamp must appeal to children and create general lighting and a nightlight separately.
- Prototype fixture must be accompanied by a student-designed **Brochure**, as well as a **Student Display Place Card** (see below for details).



Brochure Criteria:

The prototype is to be accompanied by a 2-page brochure (8.5" x 11").

- Page 1 – An 'advertising' tool and should include images and intended uses of fixture.
- Page 2 – A specification sheet including line drawings, construction materials, wattage, voltage, lamp life, etc.

Include your name only on the back of each page. Do not list your school here.

Hint: Use a plastic sheet protector to keep your documents together and clean.

Student Display Place Card:

This form is attached as part of this file (last page). It contains identification information for the student, and will serve as a marker during the competition. **Please fill this form out and bring with you on the day of the judging.**

Entry Checklist

- ❑ Fixture design is suitable for use and enjoyment of a young child.
- ❑ Fixture meets all size and weight requirements.
- ❑ Fixture has at least a 6'-0" power cord with a 2-prong un-grounded plug.
- ❑ Fixture has switches located on the power cord within 12" of the fixture, or switches located on the fixture or display itself. Each lamp must switch separately.
- ❑ Fixture is no more than 18-inches square, and 24-inches high.
- ❑ (1) Lamp is Medium Screw Base, 9.5 to 13.5 watt LED lamp, replacement for a 60 watt A-lamp
- ❑ (1) Lamp is 4 to 7 watt, C-7, typical "nightlight" lamp
- ❑ Fixture is provided with both a fixture brochure and a fixture specification sheet.
Don't forget to name your fixture!
- ❑ Student is prepared for a verbal presentation should they reach finals judging
- ❑ Student display placard is filled out and submitted with fixture

WHAT TO EXPECT THE DAY OF JUDGING

Fixture Drop Off - Fixtures are to be delivered on May 13, 2015 Double Tree Hilton at: Double Tree Hilton
Ballroom
888 Montebello Blvd.
Rosemead, CA 91770
(323) 722-8800

Fixtures must arrive between 12:30-2:00pm or they are subject to disqualification. Free parking is available at the hotel. The Ballroom is located right next to the registration desk in the front lobby. The fixture will be evaluated by two sets of judges. Finalists from the afternoon judging will be notified that afternoon by phone, and then expected to present their prototype fixture at the meeting that evening. Fixture assemblies will be placed on narrow banquet tables with the documentation displayed in front of the fixture.

Verbal Presentation – Each entrant should prepare a five-minute presentation to explain the benefits and design process of their fixture. Entrants will then field questions from the judges and audience members. Only the finalists will be required to make the presentation at the evening judging session at 7:00 pm. This will serve as the final phase of the judging process.

Disposition of Projects - All projects must be collected that evening, May 13th, after the DLF program (approx. 9:00pm). The DLF-LA will not be responsible for any fixtures left behind. The DLF scholarship committee will retain finalist's prototypes for display at the Lumen West Awards Banquet on June 20, 2015 in Los Angeles. Finalists are invited to attend this banquet, as guests of the DLF-LA, where the scholarship winner will be announced. If a finalist you would like to bring a guest, additional tickets for the Banquet will be available for purchase.

Fixture prototypes will be judged on:

Aesthetics

Performance

Design concepts - including creativity of design – appropriate for young child?

Clarity and creativity of brochure

Clarity and creativity of verbal presentation

Please note: If we cannot locate you on May 13st between 4:00 and 5:30 pm to let you know you are a finalist, and eligible for the verbal presentation portion of the contest, you will not be able to complete the competition. To ensure we can reach you, make sure you fill in a phone number on the "Place Card" page.

Designers Lighting Forum of Los Angeles
Student Lighting Scholarship Design Project # 17 Registration Form

Children's Table Lamp

Registration: To be eligible for this scholarship contest, you must be a current student pursuing a career in the field of lighting, interior design, architecture, or engineering. There is no cost to enter the competition. Please refer to the contest criteria posted on the Designers Lighting Forum web site at www.dlfla.org.

Important Dates: Registration Form Due - April 26, 2015

Day of Judging - May 13, 2015

Projects due by 2:00pm

Finalist Verbal Presentations at 7:00pm

Student Name: _____

Contact Phone: _____ Contact Phone II: _____

Address: _____

School: _____

Professor (if assigned as class project): _____

List of current or past related courses: _____

If you have any questions, please contact:

Lauri Maines 626-579-0943; LM@elplighting.com
Jeremy Windle 949-751-5940; JWindle@studiok1.com

Student Display Placard

This form must accompany your entry or your project will not be accepted for judging. The phone number must be a number where you may be reached the day of the competition. If we cannot locate you to let you know you are a finalist, and eligible for the verbal presentation portion of the contest, you will not be able to complete the competition.

Phone number where student may be contacted on May 13, 2015 between 4:00 – 5:30pm

Name: _____

School: _____

Field of Study: _____

Product or Fixture Name: _____

Entry Number: _____