

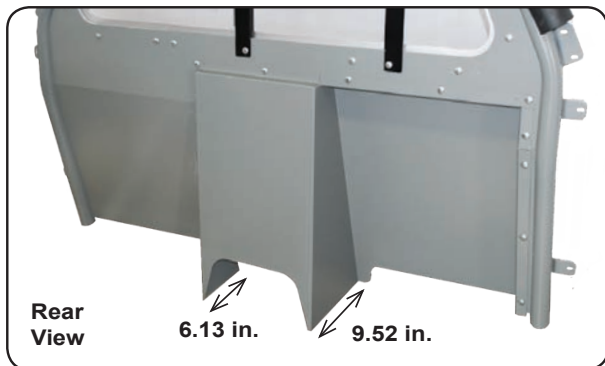


2011+ DODGE CHARGER SPACE CREATOR

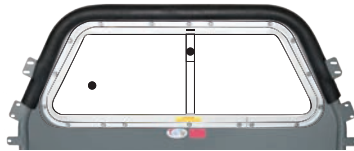
Vehicle Partition Featuring Bidirectional Recessed Housing

(This Product in the Patent Process)

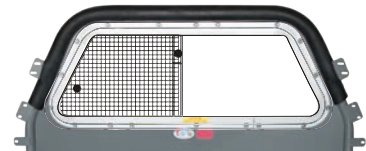
- Design ensures driver seat room is maximized and increases passenger side prisoner leg room.
- Bidirectional Recessed Housing transforms previously unusable space to create additional leg room behind the front passenger seat.
- Driver seat can be set AS FAR BACK & AS LOW as it can ever go, even with the partition installed. Other brands do not allow the 100% full seat/travel positioning.
- Design gives a larger officer maximum driving comfort and ability to arrest larger individuals
- Now Big & Tall Officers can ride in comfort and in any seat position.
- Standard Partition offering for all 11+ Charger Vehicles



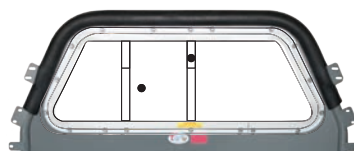
HOW TO ORDER - Window Options



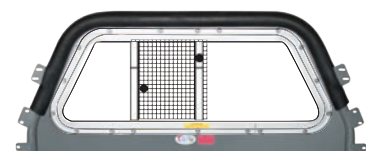
475-0721
Half Slider - All Poly



475-0722
Half Slider - Poly/Safety Wire



475-0723
Center Slider - All Poly



475-0724
Center Slider - Poly/Safety Wire

877.455.6886
JottoPublicSafety.com



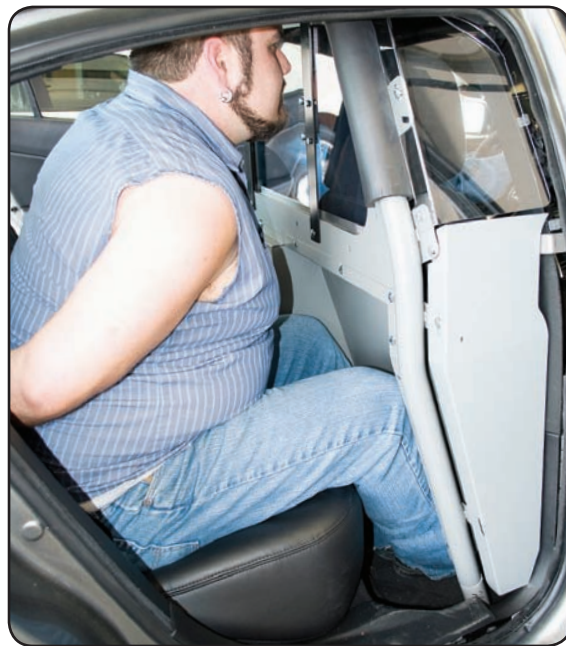
2011 + DODGE CHARGER SPACE CREATOR

*Vehicle Partition Featuring
Bidirectional Recessed Housing*

(This Product in the Patent Process)



Picture from the rear seat of the new Charger. Design increases leg room so even larger prisoners can be transported easily.



This partition makes great use of space for both the driver and for passenger side prisoners.



Tons of space to mount gun racks or printers, etc.



See Reverse for Window Options,
Additional Information and Part Numbers