

New Compact "Back-Mount" Regulator

Product Update #245
June 30, 2015

LV3403BR Series

Application

The LV3403BR Back Mount is designed to reduce first stage pressure of 5-10 PSIG down to burner pressure normally 11" w.c. Designed as a second stage regulator for smaller applications with flow requirements up to 450,000 BTU/hr. and are ideal for homes, mobile homes, and cottages.

Features

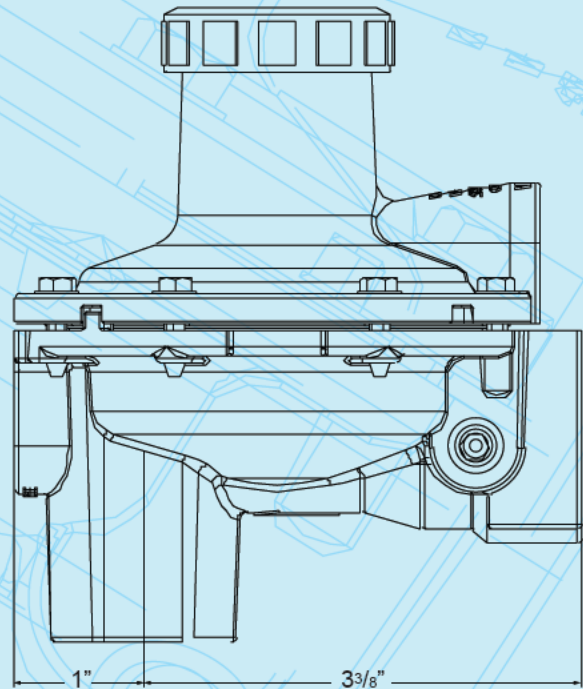
- Built in 1/8" F.NPT pressure taps on both regulator inlet and outlet side of the regulator. Plugs can be removed with a 3/16" hex Allen wrench.
- Large vent helps prevent vent blockage, it is tapped for 3/8" F.NPT for vent pipe away applications.
- With 15 PSIG inlet pressure, the regulator is designed to not pass more than 2 PSIG downstream with the seat disc removed per UL 144 specifications.
- Incorporates an integral relief valve per UL 144 specifications.
- Unique bonnet vent profile minimizes vent freeze over.
- Compact design saves space.

Materials

Body Zinc
Bonnet Zinc
Spring Steel
Seat Disc Resilient Rubber
Diaphragm Integrated Fabric and Synthetic Rubber



LV3403BR Series



Ordering Information

Part Number	Inlet Connection	Outlet Connection	Orifice Size	Factory Delivery Pressure	Adjustment Range	Bonnet Vent Position	Vapor Capacity BTU/hr *
LV3403B44R*	1/2" F.NPT*	1/2" F.NPT	1/4"	11" w.c. At 10 PSIG Inlet	9" to 13" w.c.	Over Inlet	450,000
LV3403B46R*		3/4" F.NPT					

* Backmount design

**Maximum flow based on 10 PSIG inlet and 9" w.c. delivery pressure.



GAS EQUIPMENT COMPANY, Inc.

SINCE 1937

Atlanta GA
(800) 241-4155
Kansas City MO
(800) 821-5062

Dallas TX
(800) 821-1829
Little Rock AR
(800) 643-8222

Fayetteville NC
(800) 447-1625
Orlando FL
(800) 821-0631

Houston TX
(800) 334-7816
Richmond VA
(800) 368-4013

Indianapolis IN
(800) 241-1971
St. Louis MO
(800) 423-4685