

ROCHESTER GAUGES

AND the *Magnetel*® RoughRider®

Now with Guaranteed 2 Week Delivery

Starting May 2, 2016

All Magnetel® RoughRider® gauges will be equipped as*:

- Remote Ready
- Illumination Ready
- Feature High Visibility Fluorescent Dial

*Remote Ready Dial with Silver & Black Face Available Upon Request.
Non-Remote Ready Dial with Silver & Black and Black & Fluorescent Available.



ROUGH RIDER®

M6300 Series



Patented

Easily converts to lighted with the illuminated MR Module Cover option.



**ROCHESTER
GAUGES, INC.**

Dallas, Texas, USA
Brussels, Belgium
Mexico City, Mexico
Shanghai, China

972-241-2161
011-32-10-24-1010
011-52-55-3003-0970
0086-21-50461110

The Measure of Excellence



**ROCHESTER
GAUGES, INC.**

ISO 9001:2008 CERTIFIED

**Magnetel® Rough Rider®
Liquid-Level Gauges
For LP/NH3 Service**

**M6300-
LP**

**Magnetel® Rough Rider®
Liquid-Level Gauges For LP/NH3 Service**

Application

The M6300 series Magnetel® Rough Rider® gauges were designed to withstand the vibration and shock inherent in mobile service. Their service life in both on-highway and off-road transports, carrying liquids ranging from LP-gas to crude oil, is unsurpassed. These gauges allow a continuous reading between 5% and 95% of tank contents.

General Information & Features*

The Magnetel® Rough Rider® gauges are to be installed in the side or end of mobile tanks at the centerline. They are equipped with an exclusive spring controlled shock absorber on the float arm which substantially reduces the stress that quickly destroys conventional gauges. Angle mounting gauges are also available.

The M6339 incorporates a 4" [100 mm] fluorescent R3D® Remote Ready Dial. Dial illumination for 4" fluorescent dials is possible when used with the MR Light Module (sold separately). The M6342 incorporates a standard 8" [200 mm] dial. Other dial options are available for both M6339 and M6342. Refer to the Dial Options chart.

Price list M6300 includes information on materials of construction, available options, and sales and pricing policy.

The Magnetel® Rough Rider® gauges are designed for working pressures ranging from atmospheric to 450 [31 Bar] psig.



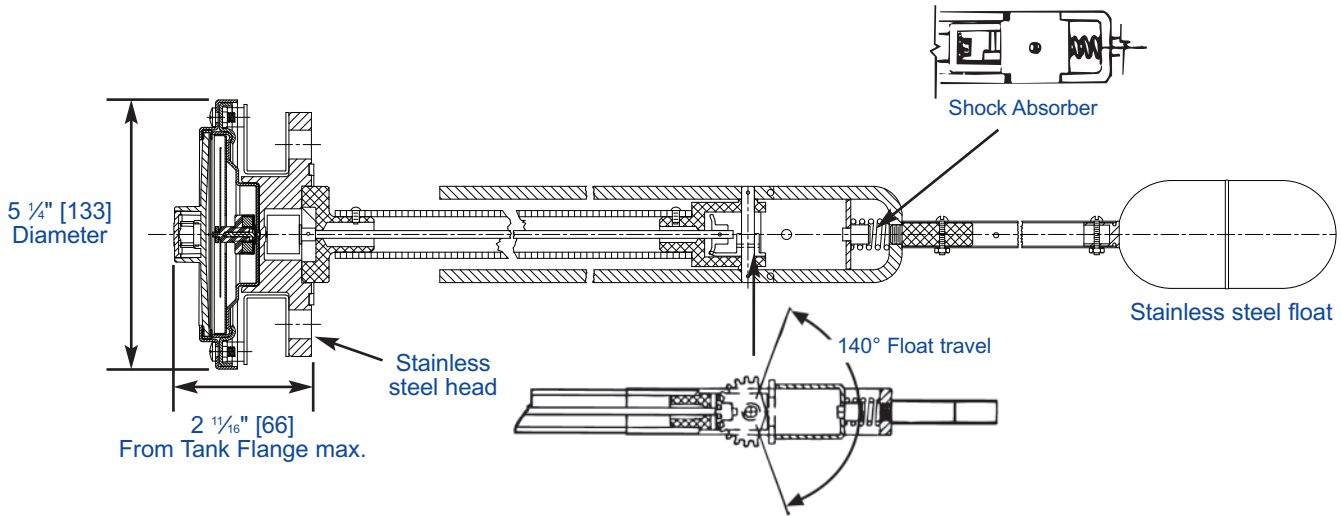
* Materials and specifications are subject to change without notice.
Pressure ratings subject to change due to temperature and other environmental considerations.

See reverse side for dimensional data, materials of construction, performance, and advice on how to order.

The Measure of Excellence

M6300-LP

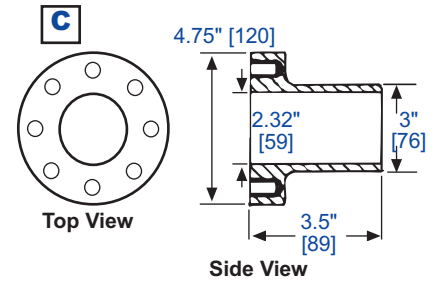
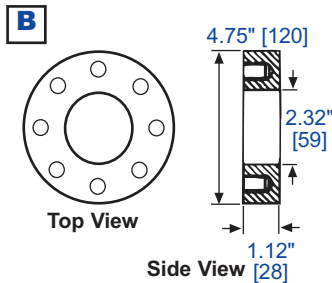
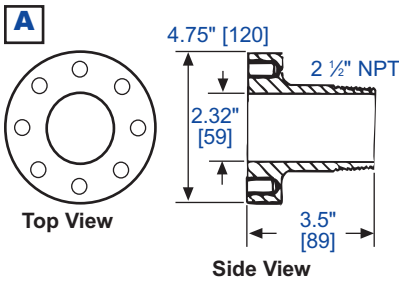
Magnetel® Rough Rider® Liquid-Level Gauges For LP/NH3 Service



3.5" [89] Bolt Circle Adapters for Magnetel® Gauges

Rochester Machining Standard MS-508 - See Rochester 22 Series

Part #	Mates With	Type	Material	Thread	Dimensions
0022-00029	6300 Series	2 1/2" NPT	Forged Steel	1/2"-13UNC-2B	Reference dwg. A
0022-00030		Welding			Reference dwg. B
0022-00500					Reference dwg. C

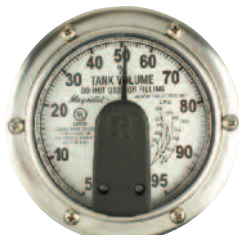


Dial Options:

Part #	Description
5APKS03045	4" R3D® Fluorescent Dial
5ARXS03045	4" Fluorescent Dial
5ANTS03047	4" R3D® Silver & Black Dial
5137S03047	4" Silver & Black Dial
5ANGS03044	8" R3D® Fluorescent Dial
5ARYS03066	8" Fluorescent Dial
5ARWS03066	8" R3D® Silver & Black Dial
5015S00481	8" Silver & Black Dial
0023S00031	MR Light Module for 4" R3D® Fluorescent Dial



4" R3D® Fluorescent Dial
5APKS03045



4" R3D® Silver & Black Dial
5ANTS03047

When Ordering, Specify:

1. Liquid to be gauged and specific gravity.
2. Inside diameter of tank heads, ellipsoidal, semi-ellipsoidal or hemispherical.
3. Complete model number desired from price list 6300, (example M6342-11).
4. Prefix letters for available options from price list 6300.
5. If a dial other than standard is required, furnish drawing and/or details.
6. Furnish tank drawings whenever ordering gauges for angle-mounting or for installation in vertical tanks.
7. If tank mounting flange is required, order separately from chart above.

Note: For installation instructions see 115-820.

04/12/2016