

# Super Speed Dome

39X Optical Zoom, 12X Digital Zoom



Pan Tilt Zoom Dome Camera

# DWC-PTZ39X

## Super Speed Dome PTZ39X



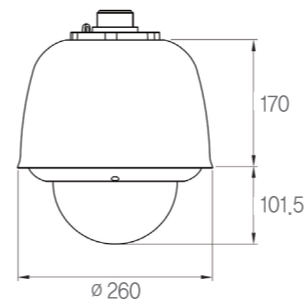
### Summary

The PTZ39X is a high performance, Super Speed Dome camera built with a 39X optical zoom lens and our distinguished Star-Light technology. The PTZ39X is available with a wide range of mounting options to fit your surveillance needs. The camera wiring module fits perfectly in our camera mount junction box, making installation quick and easy. The PTZ39X must be purchase with a mounting accessory.

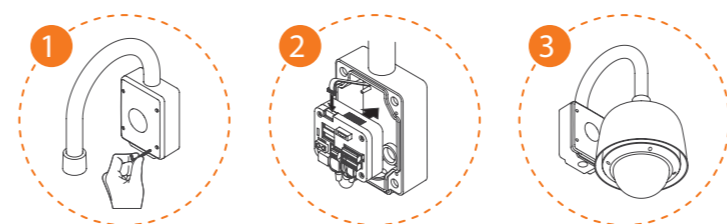
### Features

- 1/4" EX-View HAD PS CCD
- 560 TV Lines
- 39X Optical Zoom, 12X Digital Zoom with Auto Focus
- Auto Day and Night with IR Cut Filter
- Pan 0 ~ 360 ° Endless
- 360° Per Second Pan Speed
- Vector Drive Technology (Pan/Tilt Motion in Shortest Path)
- WDR (Wide Dynamic Range)
- DIS (Digital Image Stabilizer)
- Star-Light (Super Low Light Technology)
- DSS (Digital Slow Shutter)
- 3D-DNR (3D Digital Noise Reduction)
- AGC / BLC / AWB
- RS485 Communication
- 7 Rules of Time and Day Schedule
- 127 Preset Positions
- 12 Privacy Zones
- 4 Patterns of Camera Trajectory
- 8 Alarm Sensor Input and 4 Relay Output
- IP66 Certified
- Heater and Fan Built-in
- 2 Year Limited Warranty  
2 Year for Junction Box  
1 Year for PTZ Zoom Module

### Dimensions (Unit : mm)



### EASY INSTALLATION



### Specifications

Model	PTZ39X	
Camera Type	Color/BW	PTZ Dome Camera
Image	Sensor	1/4" EX-View HAD PS CCD
	Pixels – Total	811 (H) X 508 (V), 410 K
	Pixels – Effective	768 (H) X 494 (V), 380K
Minimum Illumination	IR-LED On	F1.6: 1.2 Lux [Color], 0.12 Lux [B/W]
	Focal Length	Auto Iris Lens 3.4 ~ 132.6mm
Lens	Zoom	39X Optical, 12X Digital
	Angle of View	H: 57.54 ° (W) ~ 1.56 ° (T) V: 44.44 ° (W) ~ 1.16 ° (T)
	Resolution	Horizontal: 560 TV Lines [Color], 600 TV Lines [B/W]
Video Output	VBS 1.0Vp-p	75 Ohm
S/N Ratio	S/N Ratio	52 dB
	Range	Pan: 0 ~ 360 ° Endless Preset: 360 ° / SEC
Pan Tilt	Speed	Manual: 0.05 ~ 200 ° / SEC Scan: 1 ° ~ 180 ° / SEC
	Preset	#1 ~ 128, #95 Set for OSD Menu
	Other Features	Pattern, Scan, Group, Schedule, Image Auto-Flip, Auto Parking, Power-up, etc
Environmental Conditions	Operating Temperature	-45 °C ~ 50 °C (-49 °F ~ 122 °F)
Power	Power Requirement	AC24V
	Power Consumption	24W, 1.0A / HEATER ON: 57W, 2.4A
Physical	Dimensions	260 x 552 x 405 mm (10.2 x 21.7 x 15.9 in)
	Weight	12.8 lbs
	Nema Type	IP66

(\*) Specification is subject to change without prior notice.



### Popular Accessories

The PTZ39X MUST be purchased with one of the following mounting accessories

