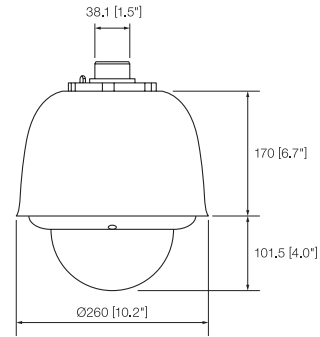




DWC-PTZ37X



Dimensions (unit : mm [inch])



Summary

The STAR-LIGHT™ 37x Pan Tilt Zoom Camera is a high performance, super speed PTZ with a 37x optical zoom lens and 16x digital zoom for an incredible total zooming capability of 592x. Our STAR-LIGHT™ technology increases the length of time the shutter remains open to collect additional ambient light, revealing details in typically dark environments. The camera provides a 0-360° endless pan and 360° per second pan speed, always moving between view points by using the shortest path. The 37x PTZ is IP66 weather resistant. To simplify installation, the camera's wiring module is included separately with your choice of mounting accessory.

Features

- 1/4" Interline Transfer CCD, 680TVL [B/W], 560TVL [Color]
- 37x Optical Zoom, 16x Digital Zoom with Auto Focus
- Wide Dynamic Range (WDR)
- STAR-LIGHT™ Super Low Light Technology
- 3.5 ~ 129.5mm Auto Focus Lens
- Digital Noise Reduction (SSNR)
- Highlight Masking Exposure (HLC)
- Pan 0-360° Endless
- 360° Per Second Pan Speed
- Vector Drive Technology (Pan/Tilt Motion in Shortest Path)
- Auto Day/Night with IR Cut Filter
- 128 Presets, 4 Patterns, 7 Schedules
- 8 Alarm Sensor Input, 4 Relay Output
- Digital Image Stabilizer (DIS)
- Auto Gain Control (AGC)
- Digital Slow Shutter (DSS)
- Backlight Compensation (BLC)
- Auto White Balance (AWB)
- Programmable Privacy Zones
- Heater and Fan Built-in
- IP66 Certified

Specifications



IMAGE	
Image Sensor	1/4" Interline Transfer CCD
Active Pixels	768 (H) x 494 (V), 380K
Scanning System	2 : 1 Interface
Frequency	15.734KHz (H), 59.94Hz (V)
Synchronization	Internal
Horizontal Resolution	680 TV Lines [B/W], 560 TV Lines [Color]
Minimum Scene Illumination	0.7Lux (F1.6, 50IRE) at Color 0.07Lux (F1.6, 50IRE) at B/W
Video Output	VBS: 1.0Vp-p / 75 Ω
S/N Ratio	52dB (AGC off, Weight on)
LENS	
Focal Length	F1.6 (W) 3.9 (T) f=3.5 ~ 129.5mm
Zoom	37x Optical Zoom, 16x Digital Zoom
Angle of View	H: 55.5° (W) ~ 1.59° (T) V: 42.5° (W) ~ 1.19° (T)
OPERATIONAL	
Shutter Speed	ESC / A.FLK / MANUAL (X512 ~ 1/120,000)
Focus	Auto / Manual / Semi-Auto
Iris	Auto / Manual
Backlight	OFF / BLC / HLC / WDR Selectable
Sense-Up	x2 ~ x512
SSNR	Low, Middle, High, Off
White Balance	AUTO / AWC / INDOOR / OUTDOOR / Manual (1700°K ~ 11,000°K)
Day and Night	Color / BW (ICR) / Auto
Mirror and Flip	Horizontal and Vertical Flip
Auto Gain Control	Off, Low, Middle, High Selectable
Privacy Zones	8 Privacy Zones
Digital Image Stabilizer	On / Off
Special Features	Frame Freeze Function
PAN TILT ZOOM	
Range	360° Endless Tilt: 0° ~ 180° (Auto-Flip On), 0° ~ 90° (Auto-Flip Off)
Pan/Tilt Speed	Preset: 360°/sec Manual: 0.05° ~ 200°/sec (Zoom Proportional) Scan: 1° ~ 180°/sec
Presets	127 Presets with Labels / Independent Camera Setup
Pattern	4 Patterns, 1000 Commands / Pattern, (Approx. 5 Minutes for Each Pattern)
Scan	8 Scans
Group	8 Groups (Max. 20 Enters per Group)
Schedule	7 Rules (Condition: Day, Time Action: Preset, Scan, Group, Pattern)
Other Functions	Auto Flip, Auto Parking, Power-up Action
Communication	RS-485
Protocol	Auto, Pelco-D, Pelco-P, Samsung, Panasonic, Kalatel, AD (American Dynamics) Selectable
Sensor In/Out	Built-in 8 Input / 4 Relay Output
OSD	Menu / PTZ Information, etc., Support 7 Languages: English, Spanish, French, German, Italian, Russian, Portuguese
ENVIRONMENTAL	
Operating Temperature	-45°C ~ 50°C (-49° ~ 122°F)
Operating Humidity	Less than 90% (Non-Condensing)
IP Rating	IP66 (Weather Resistant)
Other Certifications	FCC, CE, ROHS
ELECTRICAL	
Power Requirements	AC24V
Power Consumption	Heater & Fan OFF: 24W, 1000mA Heater & Fan ON: 57W, 2400mA
MECHANICAL	
Material	Aluminum
Dimensions	260 x 552 x 405 mm (10.23 x 21.73 x 15.94 in)
Weight	5.8 kg (12.8 lbs.)

*Specifications subject to change without notice.

Accessories (Must be purchased with the camera)



DWC-P37PM
Pendant Mount
with Analog Module



DWC-P37SPM
Short Pendant Mount
with Analog Module



DWC-P37WM
Wall Mount
with Analog Module



DWC-P37CNM
Corner Mount
(Optional)



DWC-P37POLM
Pole Mount
(Optional)