



JS LED®

ECO Lighting Technology and Solutions



LED Wall Washer

Model No. JE-RGBW100-B30

Specification

| | |
|-----------------------|------------------------------|
| Model No. | JE-RGBW100-B30 |
| Size | 3.4" X 2.75" X 2.5" |
| Max Power | 30W |
| Net Weight | 3.88kg |
| Driver Installation | Built-in |
| LED | 1W ultra high brightness LED |
| LED Qty | Red/Green/Blue: 10pcs each |
| Illuminating Range | 13 Feet X 4 Feet |
| LED Color Temperature | 3000-3500K 5500-6000K |
| Operating Voltage | DC24V |
| Control Mode | DMX512 |
| Operating Temperature | -20°C to 50°C |
| Protection | IP65 |
| Address Setting | Auto |

Connection Guide:



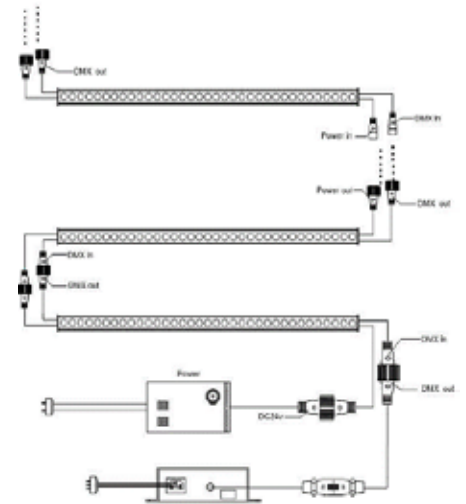
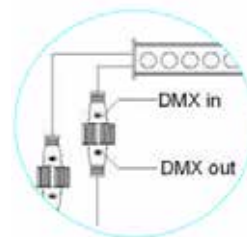
| PIN | Color | Function |
|-----|-------|-------------|
| 1 | Black | GND |
| 2 | Blue | DMX- |
| 3 | Red | DMX+ |
| 4 | Green | Address Out |

| PIN | Color | Function |
|-----|-------|------------|
| 1 | Blue | DMX- |
| 2 | Black | GND |
| 3 | Green | Address In |
| 4 | Red | DMX+ |

| PIN | Color | Function |
|-----|-------|----------|
| 1 | Blue | GND |
| 2 | Brown | VCC |

| PIN | Color | Function |
|-----|-------|----------|
| 1 | Brown | VCC |
| 2 | Blue | GND |

Diagram



Please visit jsledpower.com for more information

For support please call toll free number 1-800-909-5188

Headquarter Office

1318 Maine Ave.,
Baldwin Park, CA 91706
Tel: (626) 338 - 8291
Fax: (626) 338 - 8391

Texas Branch

6120 Westline Dr.,
Houston, TX 77036
Tel: (832) 244 - 2506
Fax: (713) 782 - 3100

New Jersey Branch

600 Deer Rd., Suite #3
Cherry Hill, NJ 08034
Tel: (646) 287 - 5979
Fax: (856) 428 - 4888

Florida Branch

4333 Silver Star Rd., Suite #170
Orlando, FL 32808
Tel: (407) 808 - 9768
Fax: (407) 782 - 4891