



US008206783B2

(12) **United States Patent**
Gillanders et al.

(10) **Patent No.:** **US 8,206,783 B2**

(45) **Date of Patent:** ***Jun. 26, 2012**

(54) **BARRIER COATING CORROSION CONTROL METHODS AND SYSTEMS FOR INTERIOR PIPING SYSTEMS**

(75) Inventors: **Larry L. Gillanders**, Chilliwack (CA);
Steven A. Williams, Stockton, CA (US);
Gregory L. Ryan, Fullerton, CA (US);
John F. Trout, Geneva, IL (US)

(73) Assignee: **Pipe Restoration Technologies, LLC**,
Las Vegas, NV (US)

(*) Notice: Subject to any disclaimer, the term of this patent is extended or adjusted under 35 U.S.C. 154(b) by 419 days.

This patent is subject to a terminal disclaimer.

(21) Appl. No.: **12/378,670**

(22) Filed: **Feb. 18, 2009**

(65) **Prior Publication Data**

US 2010/0047439 A1 Feb. 25, 2010

Related U.S. Application Data

(62) Division of application No. 11/246,825, filed on Oct. 7, 2005, now Pat. No. 7,517,409, which is a division of application No. 10/649,288, filed on Aug. 27, 2003, now Pat. No. 7,160,574.

(60) Provisional application No. 60/406,602, filed on Aug. 28, 2002.

(51) **Int. Cl.**
B05D 7/22 (2006.01)

(52) **U.S. Cl.** **427/230; 427/235; 427/238; 427/239**

(58) **Field of Classification Search** **427/230-239**
See application file for complete search history.

(56) **References Cited**

U.S. PATENT DOCUMENTS

1,890,164	A	12/1932	Rosenberger
2,087,694	A	7/1937	Malmros
2,298,775	A	10/1942	Raiche
2,331,824	A	10/1943	Buckingham
2,497,021	A	2/1950	Sterns
3,139,704	A	7/1964	McCune
3,139,711	A	7/1964	Soderberg, Jr.

(Continued)

FOREIGN PATENT DOCUMENTS

CA 2198103 3/1996

(Continued)

OTHER PUBLICATIONS

US Army Corps of Engineers, In Situ Epoxy Coating for Metallic Pipe Guidance, Public Works Technical Bulletin, 2001, 420-49-35.*

(Continued)

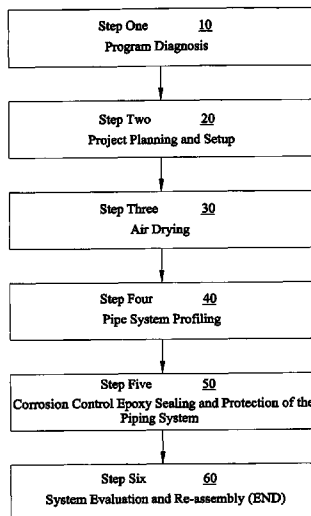
Primary Examiner — William Phillip Fletcher, III

(74) *Attorney, Agent, or Firm* — Brian S. Steinberger; Law Offices of Brian S. Steinberger, P.A.

(57) **ABSTRACT**

Methods and process steps for cleaning and providing barrier coatings to interior walls of piping systems. An entire piping system can be cleaned in one single pass by dry particulates forced by air and the piping system coated in one single pass. Pipes can be protected from water corrosion, erosion and electrolysis. Pipes having diameters of approximately 3/8" up to approximately 6" are treatable. Piping systems such as potable water lines, natural gas lines, HVAC, drains, and fire sprinkler systems in homes, apartments, high-rise hotel/resorts, office towers, high-rise apartment and condominiums and schools, can be treated. The coating forms an approximately 4 mils or greater covering inside the pipes. Buildings can return to service within approximately 24 to approximately 96 hours.

24 Claims, 13 Drawing Sheets



6 General Process Steps

U.S. PATENT DOCUMENTS

3,151,418	A	10/1964	Powell, et al.	
3,286,406	A	11/1966	Ashworth	
3,287,148	A	11/1966	Hilbush	
3,485,671	A	12/1969	Stephens	
3,608,249	A	9/1971	Sullivan	
3,727,412	A	4/1973	Marx	
3,835,587	A	9/1974	Hall, Jr.	
4,005,549	A	2/1977	Perry	
4,311,409	A	1/1982	Stang	
4,314,427	A	2/1982	Stoltz	
4,327,132	A	4/1982	Shinno	
4,333,277	A	6/1982	Tasedan	
4,454,173	A	6/1984	Koga	
4,454,174	A	6/1984	Koga	
4,505,613	A	3/1985	Koga	
4,579,596	A	4/1986	Murzyn	
5,007,461	A	4/1991	Naf	
5,045,352	A	9/1991	Mueller	
5,046,289	A	9/1991	Bengel et al.	
5,085,016	A	2/1992	Rose	
5,231,804	A	8/1993	Abbott	
5,460,563	A	10/1995	McQueen, Jr.	
5,499,659	A	3/1996	Naf	
5,622,209	A	4/1997	Naf	
5,707,702	A	1/1998	Reimelt	
5,800,629	A	9/1998	Ludwig	
5,915,395	A	6/1999	Smith	
5,924,913	A *	7/1999	Reimelt	451/36
5,950,681	A	9/1999	Reimelt	
6,345,632	B1	2/2002	Ludwig	
6,423,152	B1	7/2002	Landaas	
6,739,950	B1 *	5/2004	Kruse	451/37
7,041,176	B2	5/2006	Kruse	
7,858,149	B2	12/2010	Gillanders	

FOREIGN PATENT DOCUMENTS

DE	3821558	12/1989
DE	4404473	9/1995
EP	0299134	2/1988
EP	0393433	4/1990
EP	0511790	7/1993
EP	0634229	7/1994
EP	0637737	7/1994
EP	07716240.2	7/2009
EP	07716240	6/2011
GB	2140377	11/1984
JP	5822663	2/1983
JP	06-126246 A *	5/1994
SU	116040	2/1959
WO	2008088317	7/2008
WO	PCT/US07/000072	8/2008

OTHER PUBLICATIONS

Brady et al., Control of Lead in Drinking Water, Naval Research Laboratory, 1997.*
 American Pipe Lining, Inc., In-place pipe restoration, 9 pgs., Mar. 9, 2001, [online], [retrieved on Oct. 25, 2005], retrieved from the Internet: <URL: <http://web.archive.org/web/20010801213356/www.ampipelining.com/index.html> <http://web.archive.org/web/20010408210145/ampipelining.com/Contacting/Graphics.html> <http://web.archive.org/web/20010409072529/ampipelining.com/Contacting/Text.html> <http://web.archive.org/web/20010801213206/www.ampipelining.com/Process/index.html>.
 American Pipe Lining, Inc., In-place pipe restoration, 10 pgs., Mar. 30, 2001, [online], [retrieved on Oct. 25, 2005], retrieved from the internet: <URL: <http://web.archive.org/web/20030623154738/ampipelining.com/index.html> <http://web.archive.org/web/200306040510/ampipelining.com/info/company.html> <http://web.archive.org/web/20030604140015/ampipelining.com/process/index.html>.
 American Pipe Lining, Inc., In-place pipe restoration, 8 pgs., Apr. 1, 2001, [online], [retrieved on Oct. 25, 2005], retrieved from the internet: <URL: <http://web.archive.org/web/20030623154738/ampipelining.com/index.html> <http://web.archive.org/web/20030604140015/ampipelining.com/process/index.html>.

<http://web.archive.org/web/20030604140015/ampipelining.com/process/index.html> <http://web.archive.org/web/20030604140015/ampipelining.com/process/index.html>.
 ACE DuraFlo—The Modern Pipe Renovation System, 8 pgs, May 18, 2001, [online], [retrieved on Oct. 20, 2005], retrieved from the internet: <URL: [http://www.aceduraflo.com/](http://web.archive.org/web/20010518064023/http://www.aceduraflo.com/) <http://web.archive.org/web/20010813210317/www.aceduraflo.com/process/index.html> <http://web.archive.org/web/20011020232815/www.aceduraflo.com/why.html>.
 ACE DuraFlo—The Modern Pipe Renovation System, 8 pgs, Aug. 16, 2001, [online], [retrieved on Oct. 20, 2005], retrieved from the internet: <URL: [http://www.aceduraflo.com/index.html](http://web.archive.org/web/20010816233707/http://www.aceduraflo.com/index.html) <http://web.archive.org/web/20010813210317/www.aceduraflo.com/process/index.html> <http://web.archive.org/web/20011020232815/www.aceduraflo.com/why.html>.
 ACE DuraFlo—The Modern Pipe Renovation System, 12 pgs, Oct. 21, 2001, [online], [retrieved on Oct. 20, 2005], retrieved from the internet: <URL: [http://www.aceduraflo.com/index.html](http://web.archive.org/web/20011021003415/http://www.aceduraflo.com/index.html) <http://web.archive.org/web/20011214035125/www.aceduraflo.com/why.html> <http://web.archive.org/web/20011201094809/www.aceduraflo.com/cases/index.html>.
 ACE DuraFlo—The Modern Pipe Renovation System, 10 pgs, Nov. 29, 2001, [online], [retrieved on Oct. 20, 2005], retrieved from the internet: <URL: [http://www.aceduraflo.com/](http://web.archive.org/web/20011129000953/http://www.aceduraflo.com/) <http://web.archive.org/web/20011214034040/www.aceduraflo.com/process/index.html> <http://web.archive.org/web/20011214035125/www.aceduraflo.com/why.html>.
 ACE DuraFlo—The Modern Pipe Renovation System, 12 pgs, Dec. 14, 2001, [online], [retrieved on Oct. 20, 2005], retrieved from the internet: <URL: <http://web.archive.org/web/20011214171031/http://www.aceduraflo.com/index.html> <http://web.archive.org/web/20011214034040/www.aceduraflo.com/process/index.html> <http://web.archive.org/web/20011214035125/www.aceduraflo.com/why.html>.
 ACE DuraFlo-The Repiping Alternative, 9 pgs., [online], [retrieved on Oct. 20, 2005], retrieved from the internet: <URL: <http://www.aceduraflo.com/index.html> <http://aceduraflo.com/whyaceduraflo.html> <http://aceduraflo.com/casestudies.html> <http://aceduraflo.com/news.html>.
 (Brochure) American Pipe Lining Inc., In-Place Pipe Restoration, date unknown.
 (Manual) ACE DuraFlo Dust Collector Service Manual, 4 pgs., ACE DuraFlo Systems, LLC, Sep. 2001.
 Robert F. Brady, Jr., Fact Sheet From the Navy Pollution Prevention Conference on the Restoration of Drinking Water Piping with Non-toxic Epoxy Linings, Envirosense, 1995, 4 pages.
 Robert F. Brady, Jr., James D. Adkins, Epoxy Lining for Shipboard Piping Systems, Materials Chemistry Branch, 1994, 16 pages.
 Drew J. Demboske, John H. Benson, Guiseppe E. Rossi, Noel S. Leavitt, Michael A. Mull, John J. McMullen, Evolutions, in U.S. Navy Shipboard Sewage and Graywater Programs, 16 pages.
 Public Works Technical Bulletin No. 420-49-35, In-Situ Epoxy Coating for Metallic Pipe, 2001, 32 pages.
 A-S Method, We are a person you are looking for! A-S Method Pipe Rehabilitation System, Toyo Lining Co., Ltd., APL 00789-APL 00807, 1981, 19 pages.
 A-S method for rehabilitating deteriorated water supply pipes in an existing building, Technical Evaluation Toyo Lining Co., Ltd., APL 000704-APL 00759, 1981, 56 pages.
 U.S. Army Corps of Engineers, In Situ Epoxy Coating for Metallic Pipe Guidance, Public Works Technical Bulletin, 2001, 420-49-35.
 Brady, et al., Control of Lead in Drinking Water, Naval Research Laboratory, 1997.
 Interparty Reexam, U.S. Appl. No. 95/001,717, filed Aug. 17, 2011.
 Brady, Licensing Agreement between American Pipe Lining, Inc. and U.S. Navy, Aug. 1996, 19 pages.

US 8,206,783 B2

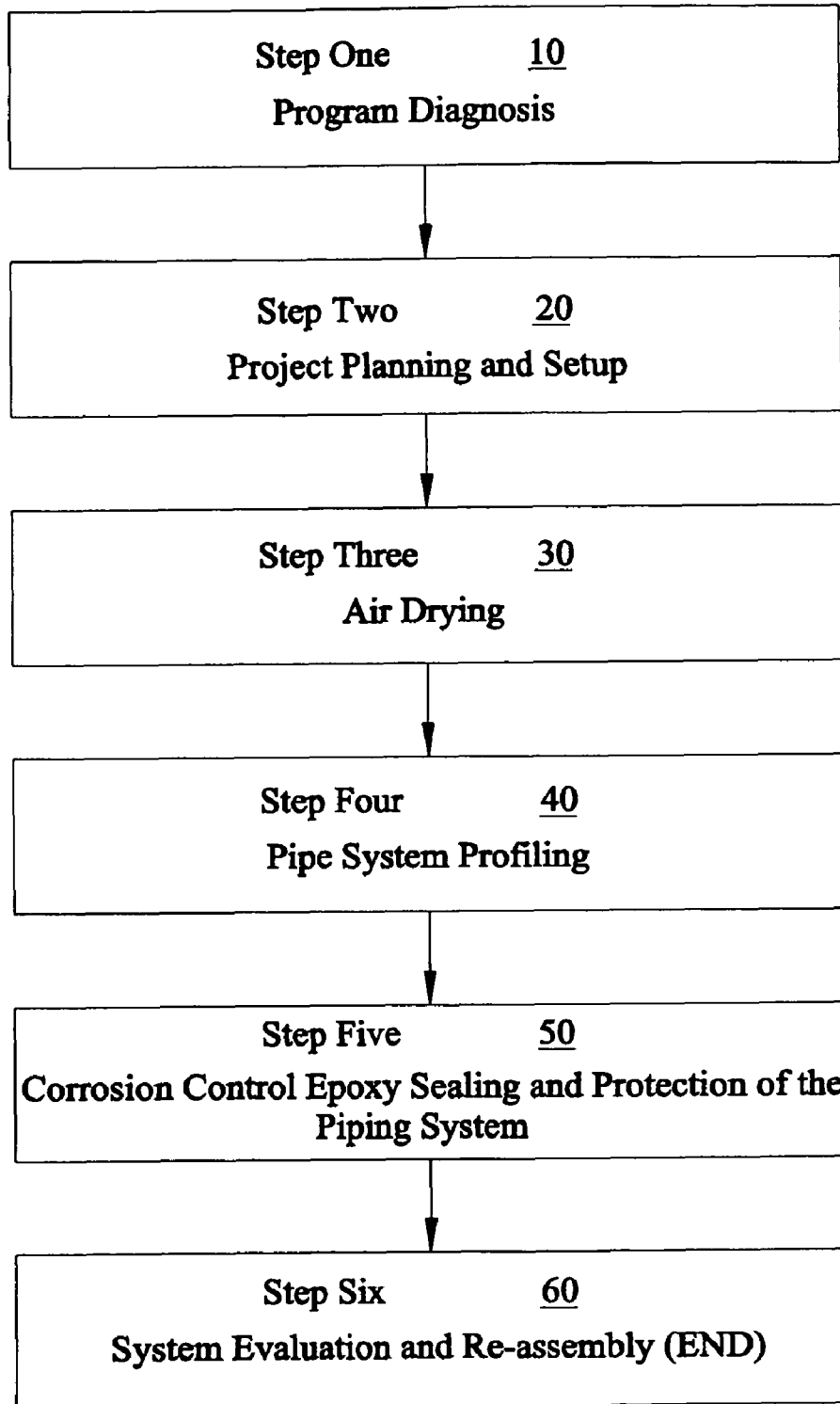
Page 3

Technical Evaluation of Toyo Lining Co., LTD., Jul. 16, 1981.
ABSS Visual Comparator Guide Degrees of Cleanliness, undated.
Patentees response to Reexam serial No. 95/001,717 filed on Feb. 2,
2012.

3rd party requesters response to Reexam serial No. 95/001,717 filed
Mar. 2, 2012.

* cited by examiner

Fig. 1



6 General Process Steps

Fig. 2A
PROCESS FLOWCHART

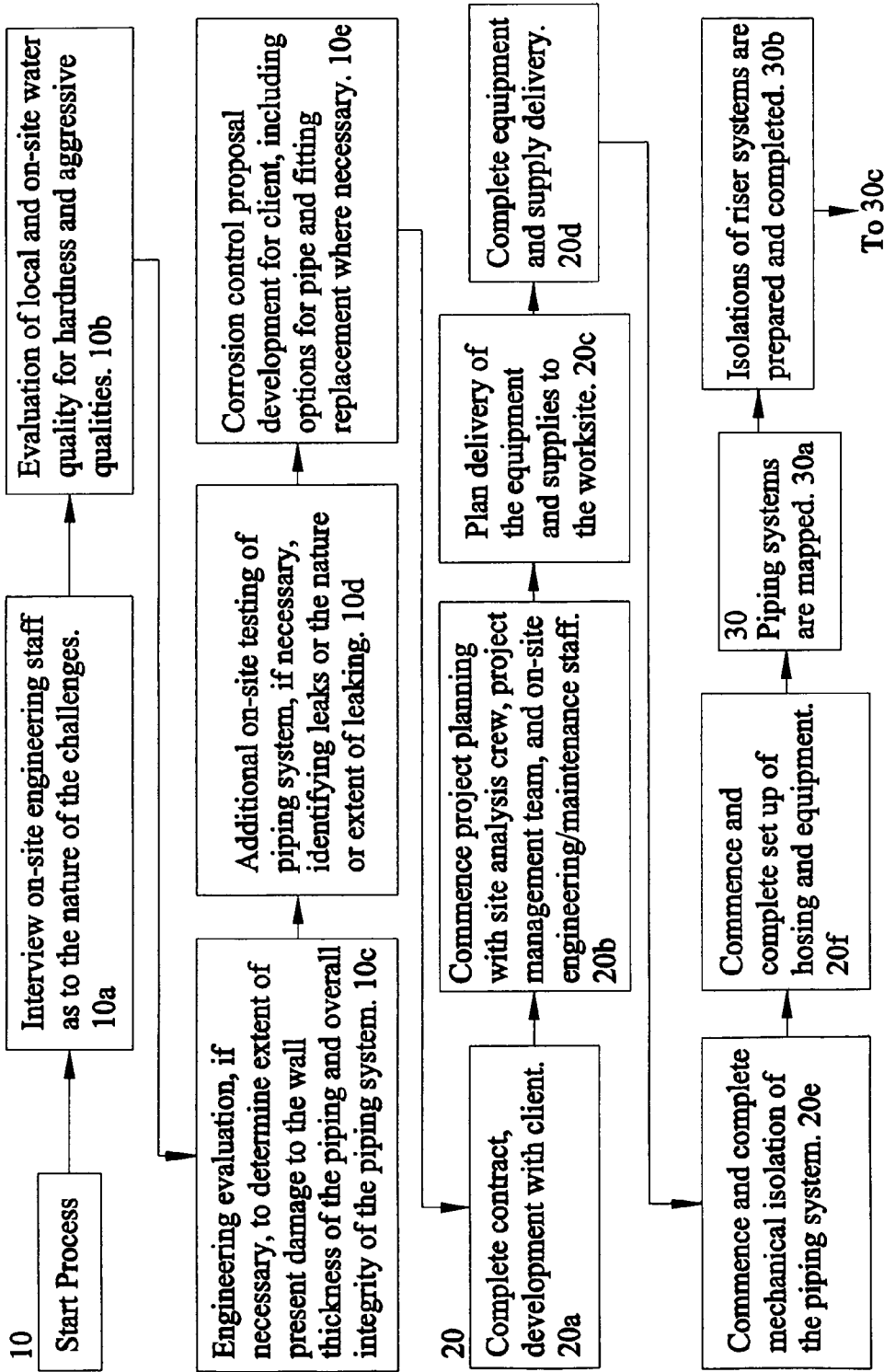


Fig. 2B

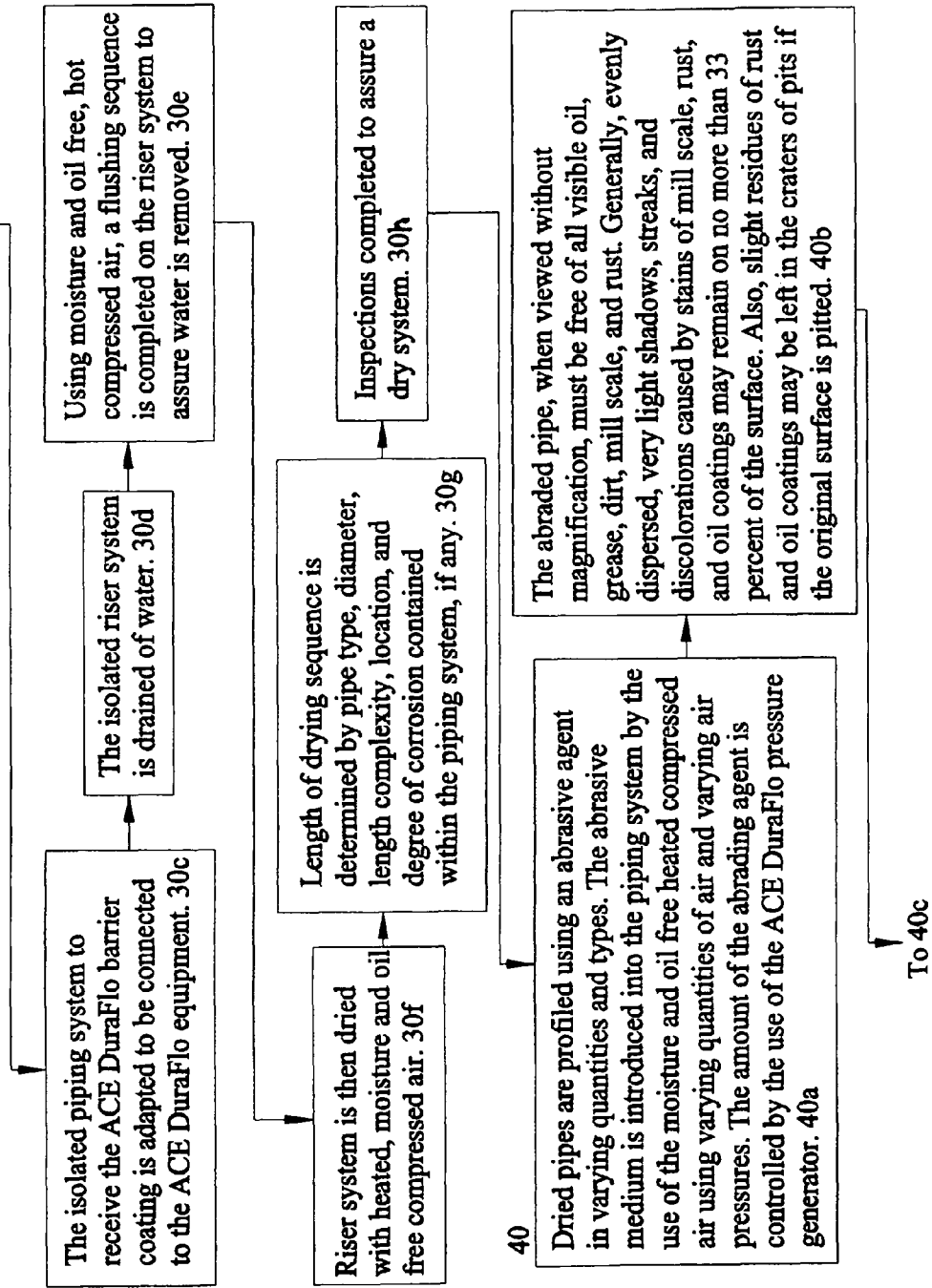


Fig. 2C

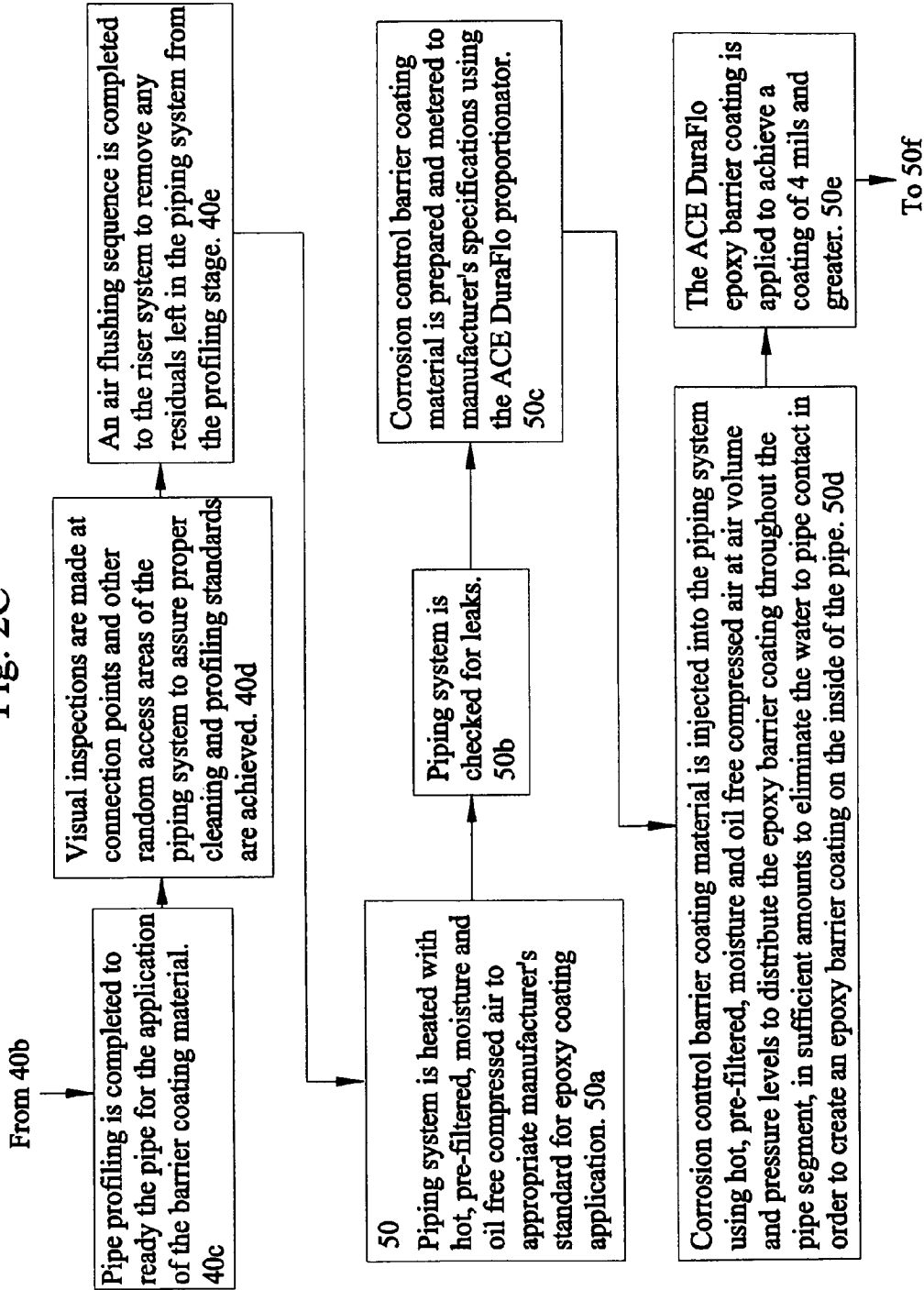


Fig. 2D

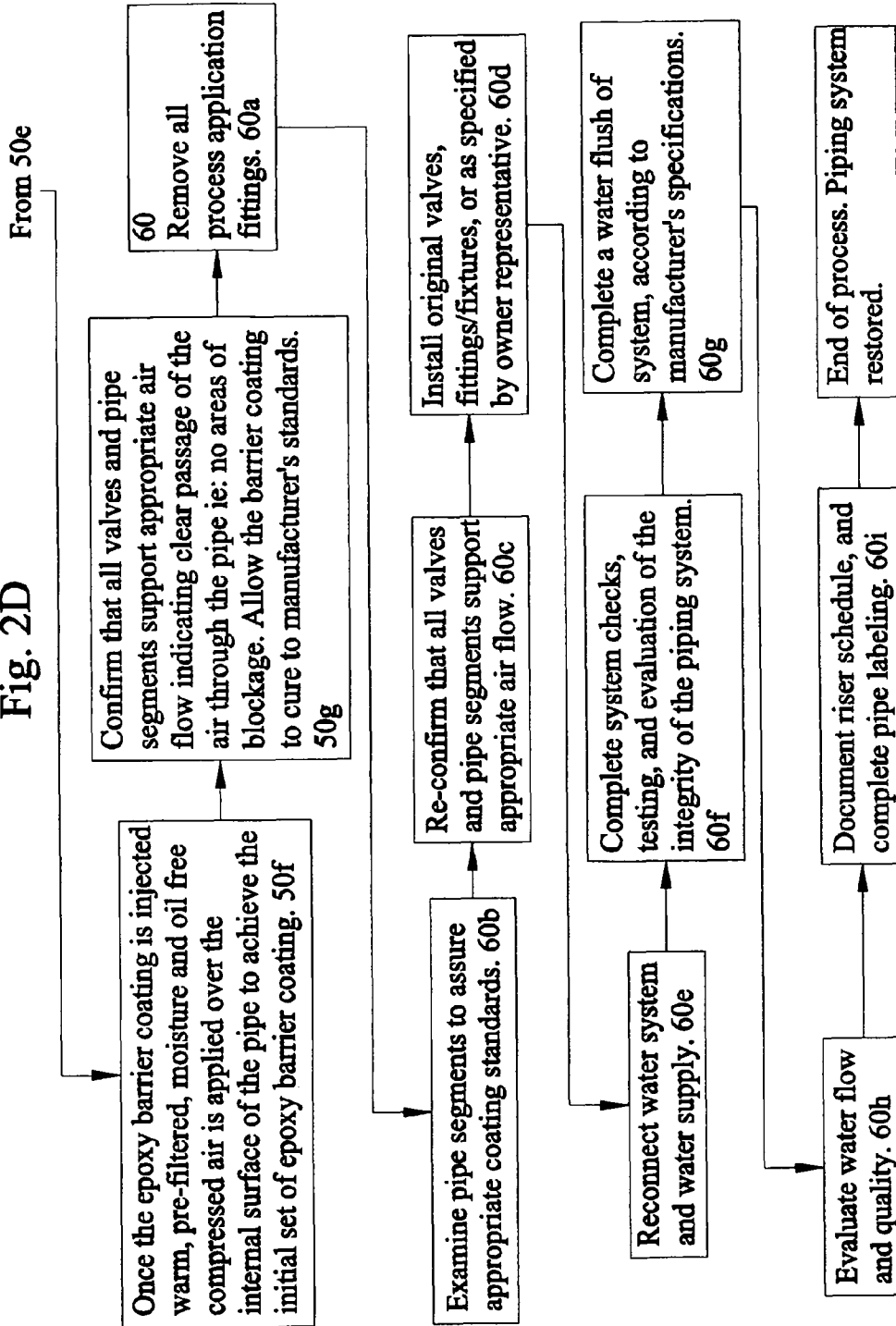


Fig. 3

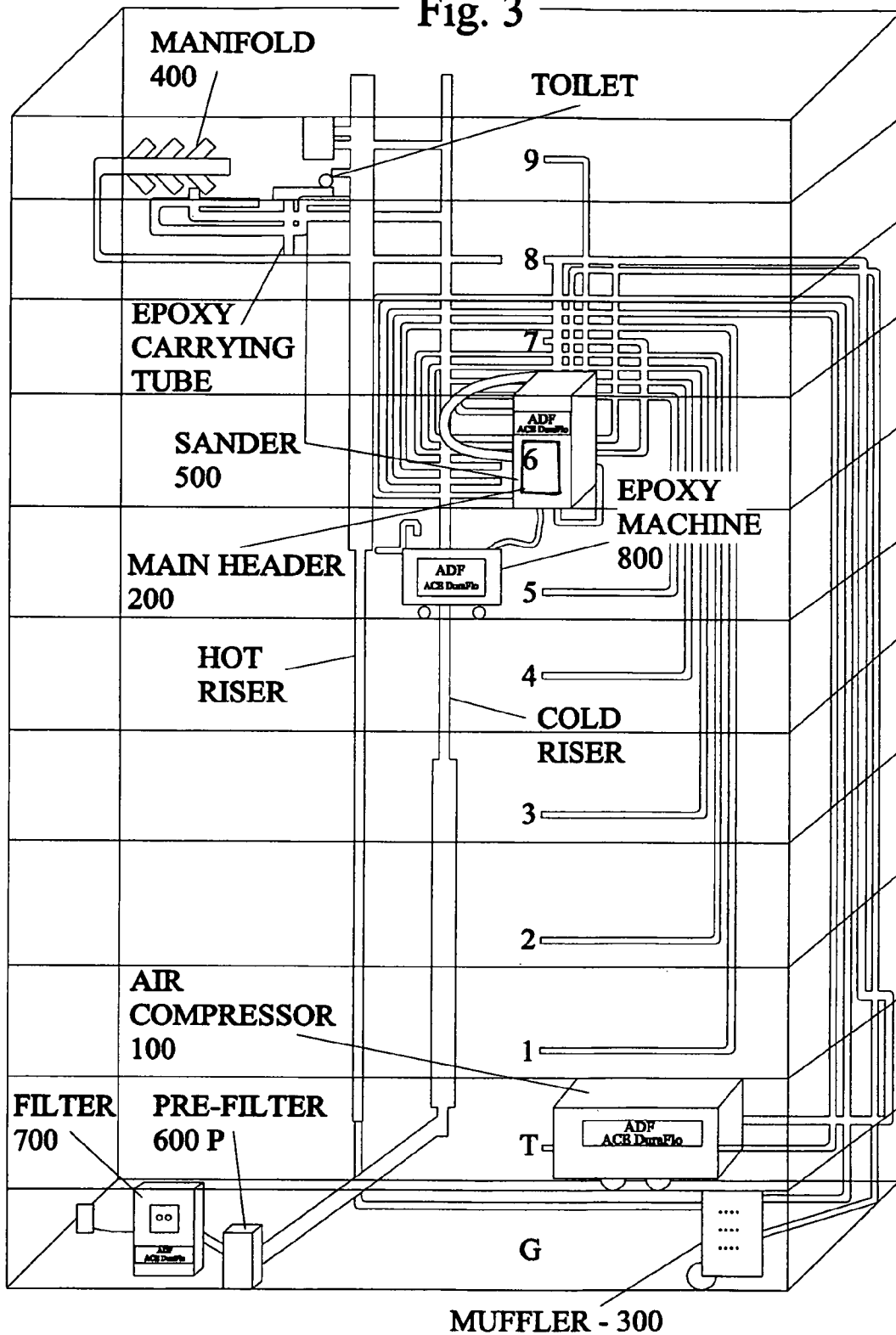
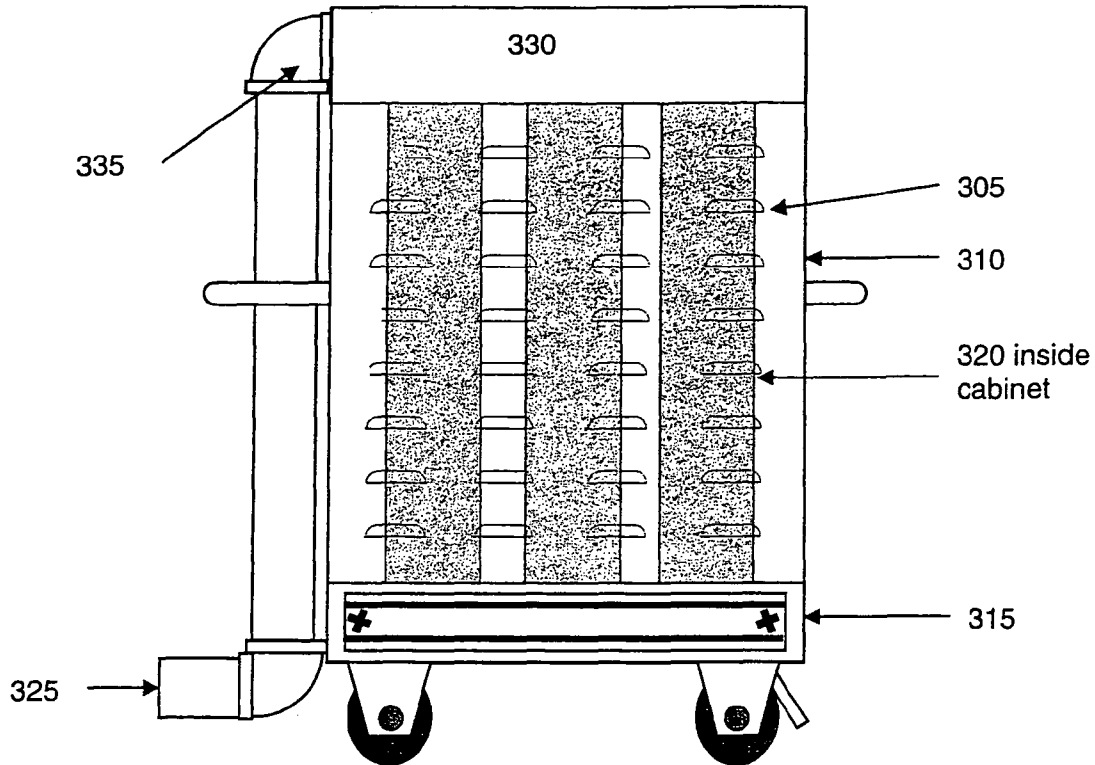


Figure 4



SPECIFICATIONS:

- 12 & 14 Gauge Steel Construction
- Approximate Dimensions: 34" w x 46" l x 76" h
- Ford Grabber Blue Powder-coating
- Vented Access Panels on Both Sides of Unit - 305
- Vented End Panels - 310
- Dust Drawer with Removable Pan - 315
- Canvas Dust Bag Diffusers - 320
- 2" NPT Inlet - 325
- 4" x 8" Expansion Chamber - 330
- Overhead Plenum - 335
- Two Swivel Casters - 340
- Two Locking Casters - 350
- Push/ Pull Handles - 360

EXHAUST AIR DIFFUSER - 300

Fig. 5A
Air Manifold - 400

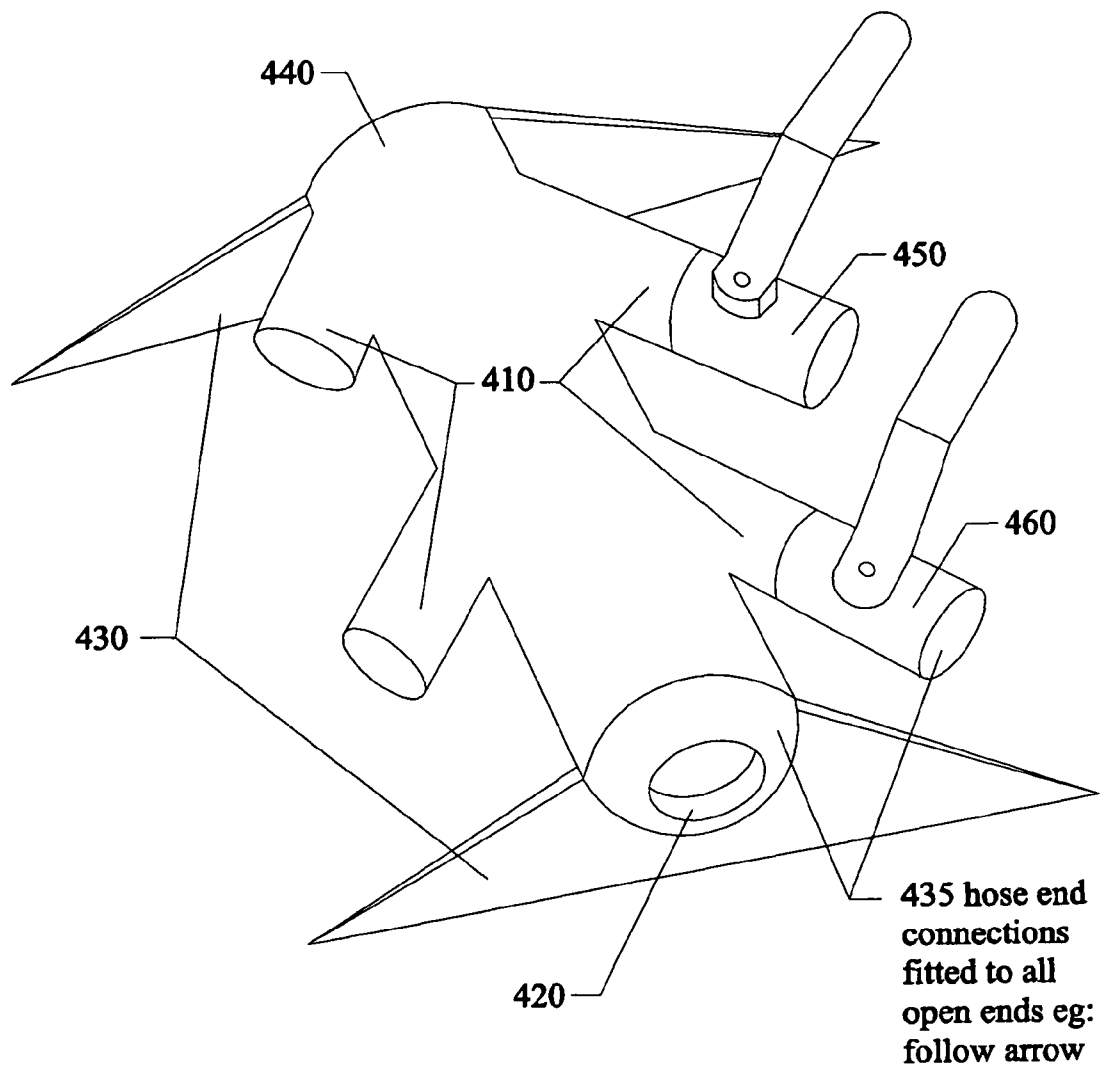
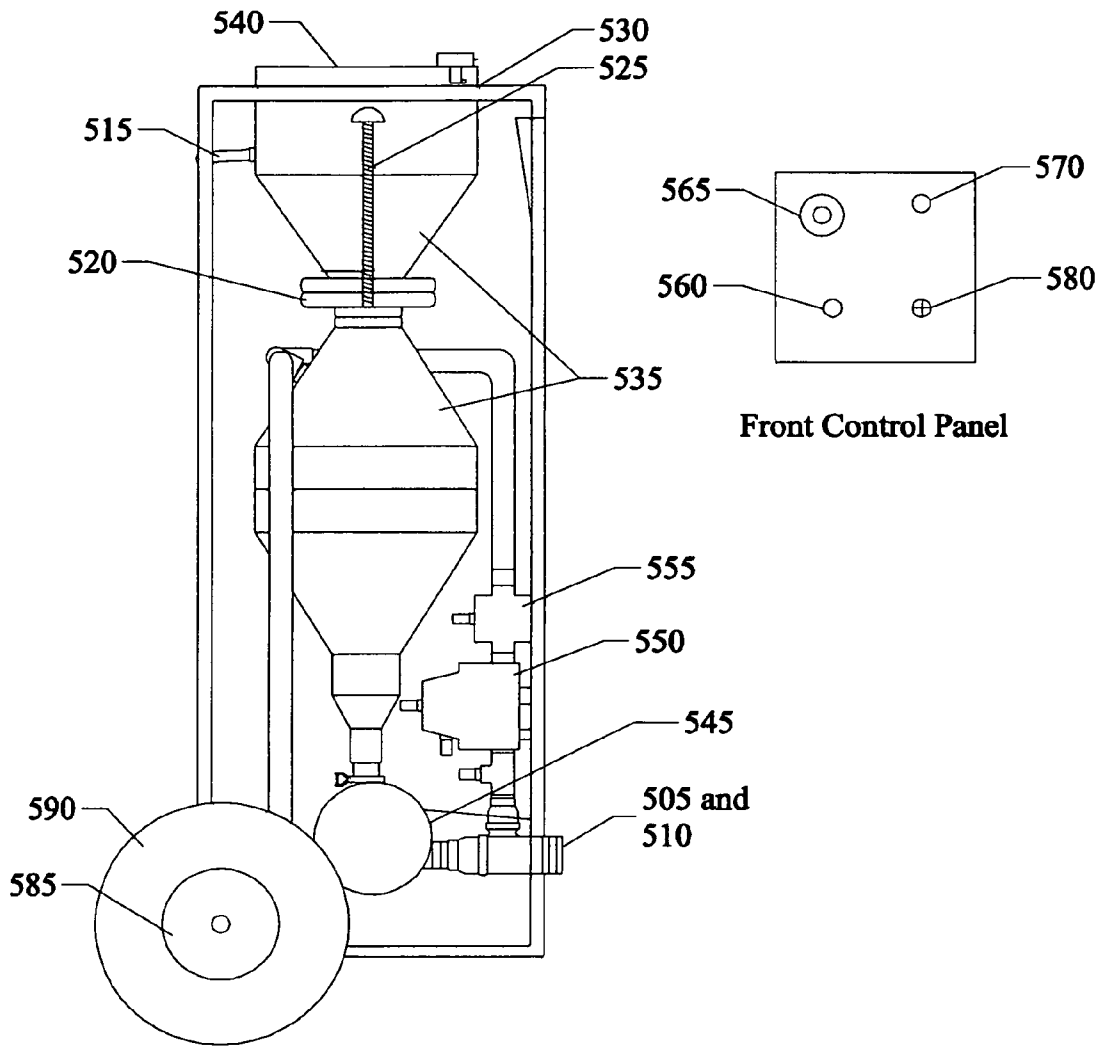


Fig. 5B

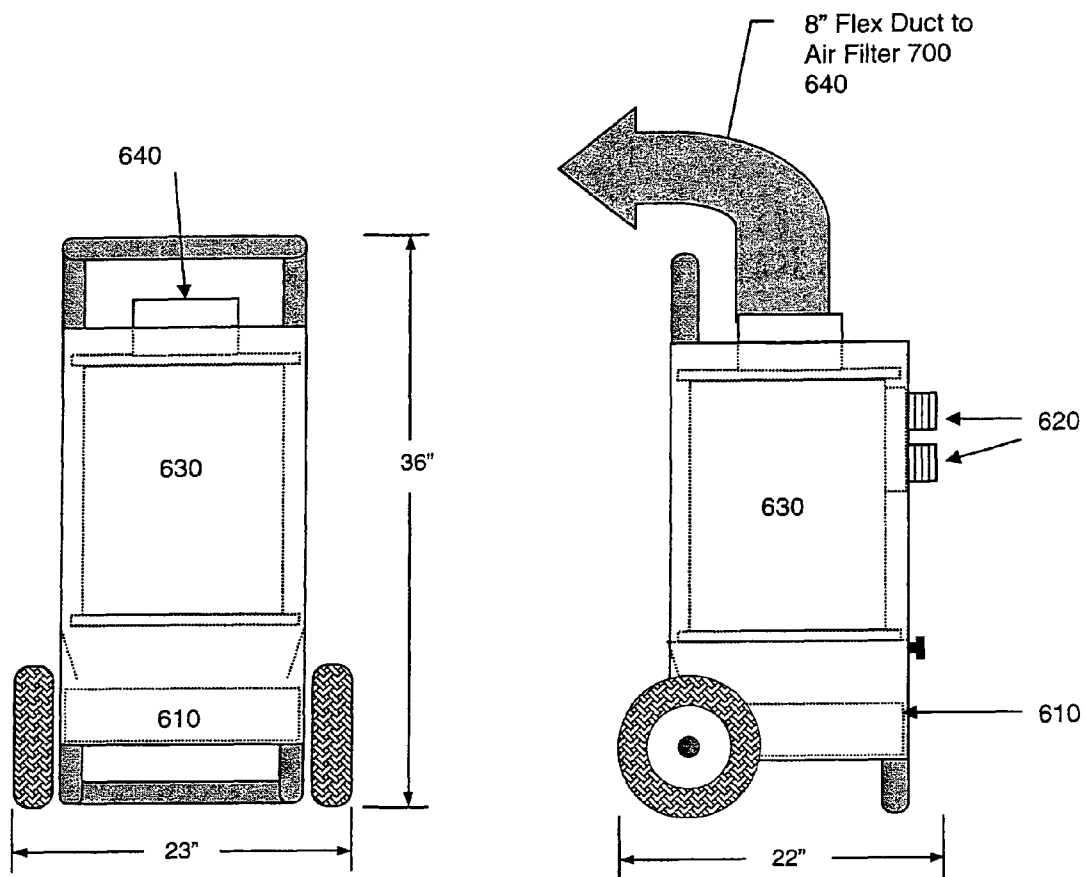
Fig. 5C



Sander - 500

Figure 6B

Figure 6A



**“PRE-FILTER”
RECLAIM SEPARATOR MODULE - 600**

Fig. 7A

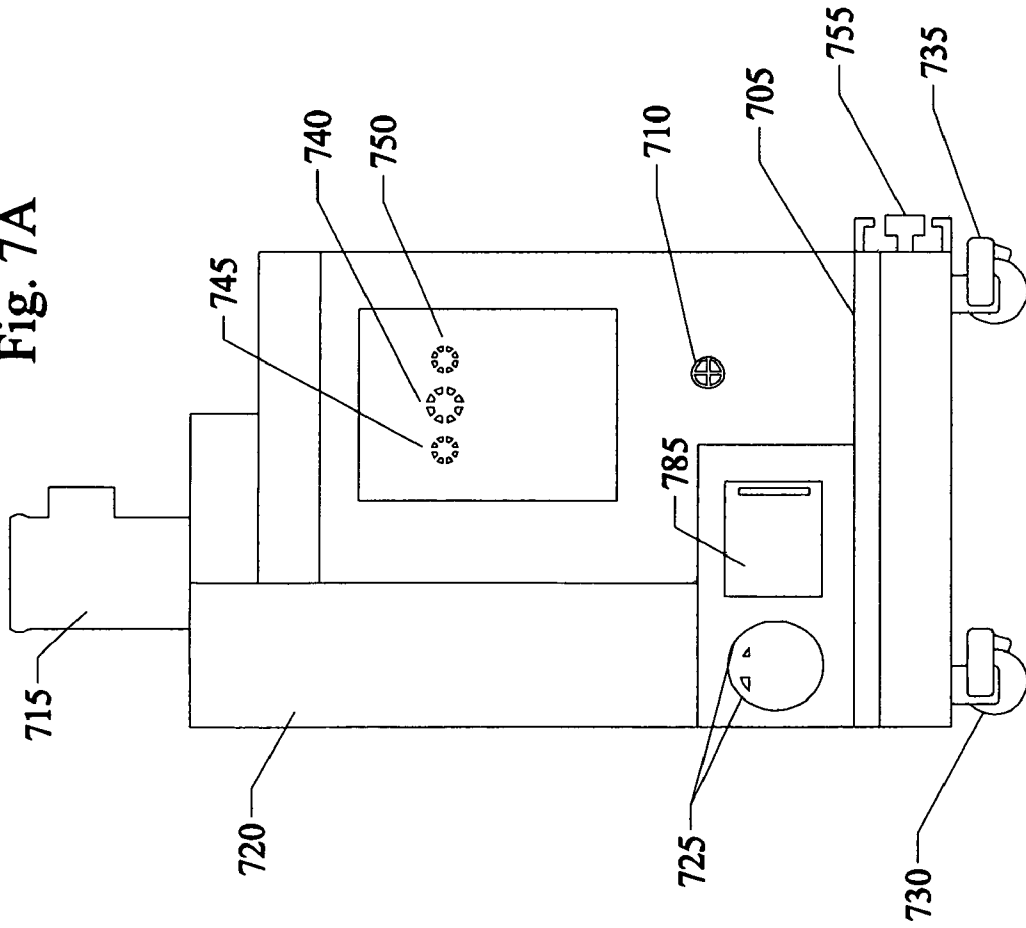
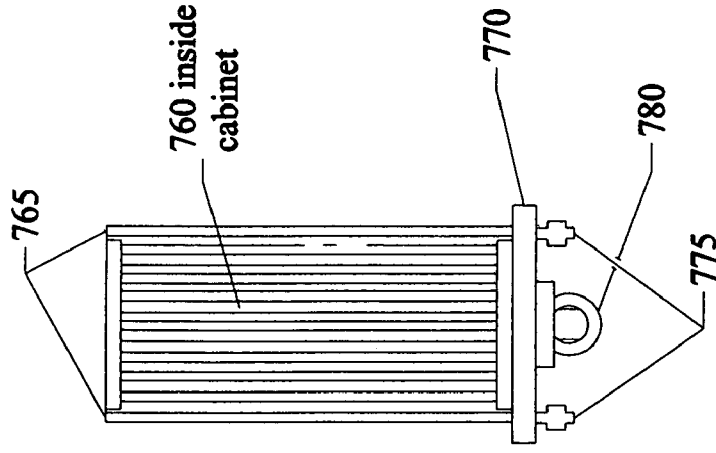


Fig. 7B



Air Filter - 700

Fig. 8A

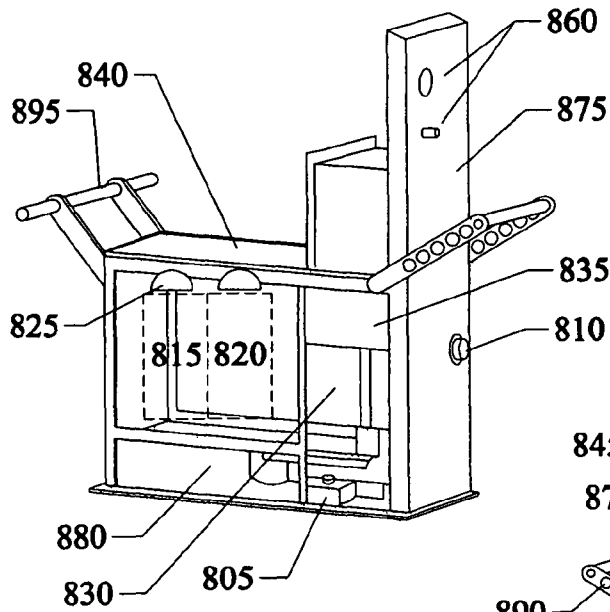


Fig. 8D

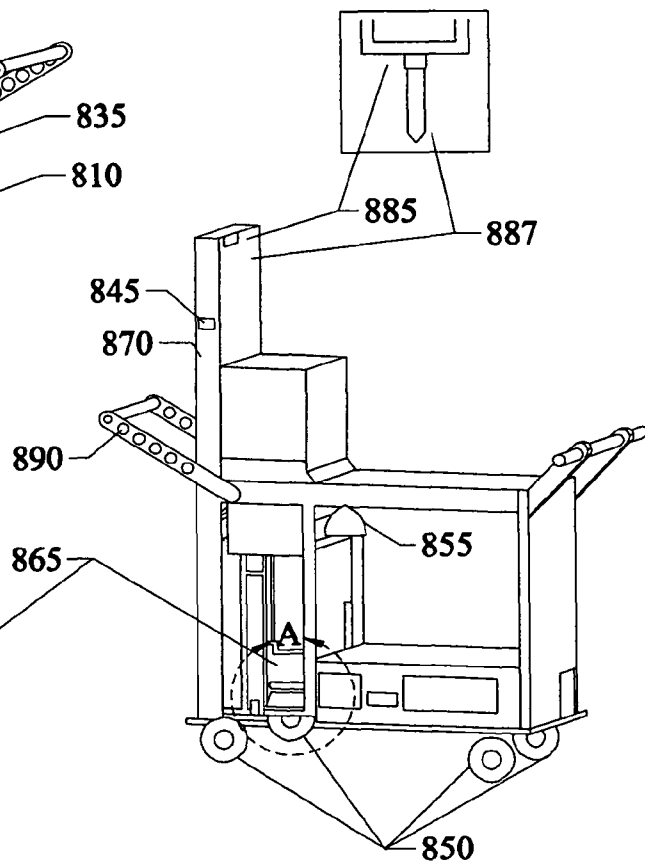


Fig. 8C

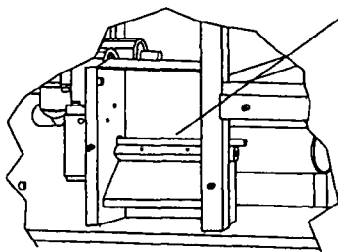
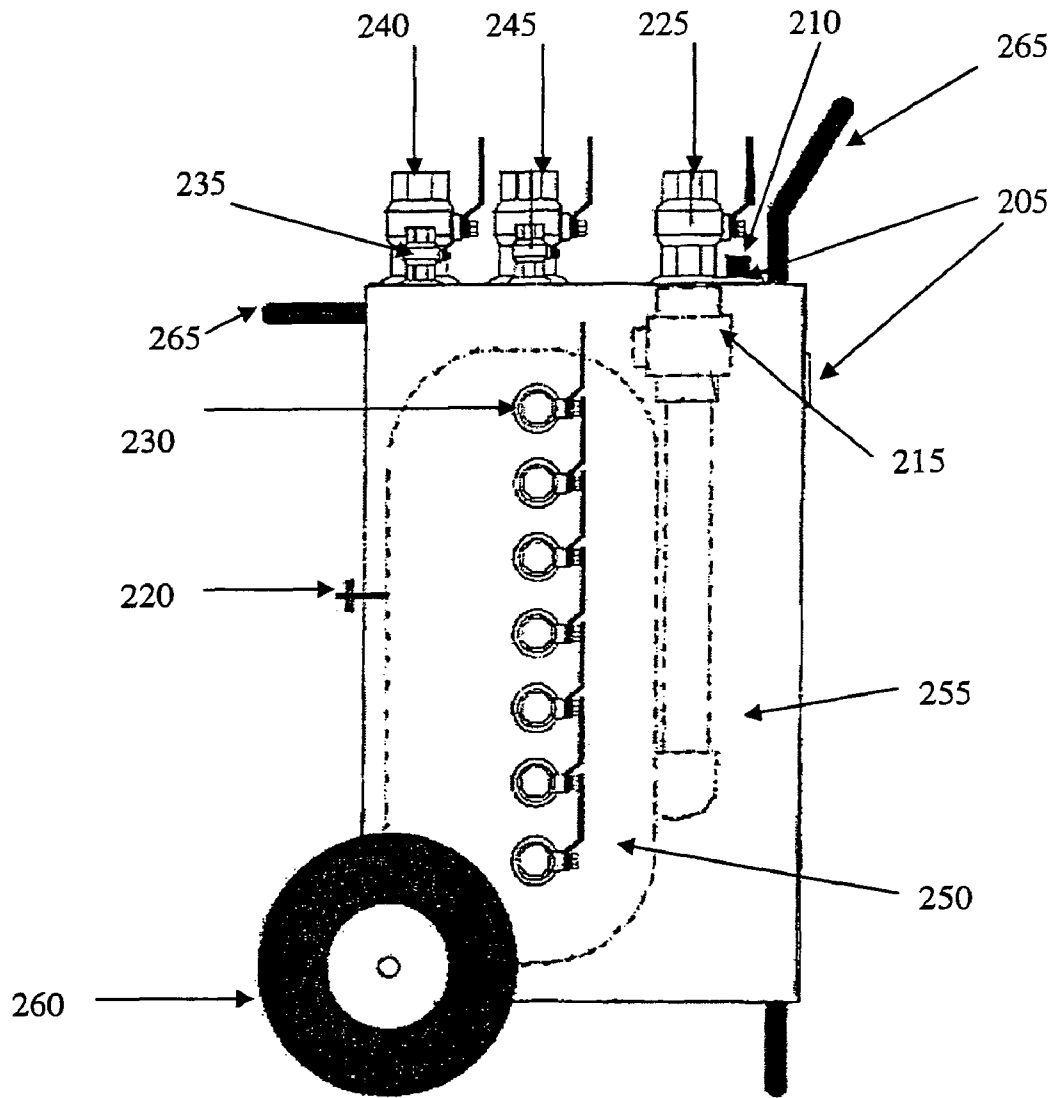


Fig. 8B

Portable Epoxy Metering and
Dispensing Unit - 800

Figure 9



Main Air Header - 200

BARRIER COATING CORROSION CONTROL METHODS AND SYSTEMS FOR INTERIOR PIPING SYSTEMS

This invention is a divisional application of U.S. patent application Ser. No. 11/246,825 filed Oct. 7, 2005, now U.S. Pat. No. 7,517,409, which is a divisional application of U.S. patent application Ser. No. 10/649,288 filed Aug. 27, 2003, now U.S. Pat. No. 7,160,574, and claims the benefit of priority to U.S. Provisional Patent Application 60/406,602 filed Aug. 28, 2002.

FIELD OF INVENTION

This invention relates to piping repair and restoration, and in particular to methods, systems and apparatus for cleaning and providing barrier protective coatings to the interior walls of small metal and plastic type pipes such as drain lines, hot water lines, cold water lines, potable water lines, natural gas lines, HVAC piping systems, drain lines, and fire sprinkler system lines, and the like, that are used in multi-unit residential buildings, office buildings, commercial buildings, and single family homes, and the like.

BACKGROUND AND PRIOR ART

Large piping systems such as those used in commercial buildings, apartment buildings, condominiums, as well as homes and the like that have a broad base of users commonly develop problems with their pipes such as their water and plumbing pipes, and the like. These problems can include leaks caused by pipe corrosion and erosion, as well as blockage from mineral deposits that develop over time where materials build up directly inside the pipes. Presently when a failure in a piping system occurs the repair method may involve a number of applications. Those repair applications may involve a specific repair to the area of failure such as replacing that section of pipe or the use of a clamping devise and a gasket. In some cases the complete piping system of the building may need to be replaced.

In the case of pipes where the water flow has been impeded by rust build up or by a deposit build up such as calcium and other minerals, various methods for the removal of the rust or other build up have been used. However the damage caused by the rust or from other deposits to the pipe wall cannot be repaired unless the pipe is replaced.

Traditional techniques to correct for the corrosion, leakage and blockage problems have included replacing some or all of a building's pipes. In addition to the large expense for the cost of the new pipes, additional problems with replacing the pipes include the immense labor and construction costs that must be incurred for these projects.

Most piping systems are located behind finished walls or ceilings, under floors, in concrete or underground. From a practical viewpoint simply getting to the problem area of the pipe to make the repair can create the largest problem. Getting to the pipe for making repairs can require tearing up the building, cutting concrete and/or having to dig holes through floors, the foundation or the ground. These labor intensive repair projects can include substantial demolition of a building's walls and floors to access the existing piping systems. For example, tearing out the interior walls to access the pipes is an expected result of the demolition.

Once the walls and floors have been opened, then the old pipes are usually pulled out and thrown out as scrap, which is

then followed by replacement with new pipes. These prior techniques do little if nothing to reuse, refix, or recycle the old pipes.

In addition, there are usually substantial costs for removing the debris and old pipes from the worksite. With these projects both the cost of new pipes and the additional labor to install these pipes are required expenditures. Further, there are additional added costs for the materials and labor to replumb these new pipes along with the necessary wall and floor repairs that must be made to clean up for the demolition effects. For example, getting at and fixing a pipe behind drywall is not completing the repair project. The drywall must also be repaired, and just the drywall type repairs can be extremely costly. Additional expenses related to the repair or replacement of an existing piping system will vary depending primarily on the location of the pipe, the building finishes surrounding the pipe and the presence of hazardous materials such as asbestos encapsulating the pipe. Furthermore, these prior known techniques for making piping repair take considerable amounts of time that can include many months or more to be completed which results in lost revenue from tenants and occupants of commercial type buildings since tenants cannot use the buildings until these projects are completed.

Finally, the current pipe repair techniques are usually only temporary. Even after encountering the cost to repair the pipe, the cost and inconvenience of tearing up walls or grounds and if a revenue property the lost revenue associated with the repair or replacement, the new pipe will still be subject to the corrosive effects of fluids such as water that passes through the pipes.

Over the years many attempts have been proposed for cleaning water type pipes with chemical cleaning solutions. See for example, U.S. Pat. No. 5,045,352 to Mueller; U.S. Pat. No. 5,800,629 to Ludwig et al.; U.S. Pat. No. 5,915,395 to Smith; and U.S. Pat. No. 6,345,632 to Ludwig et al. However, all of these systems require the use of chemical solutions such as liquid acids, chlorine, and the like, that must be run through the pipes as a prerequisite prior to any coating of the pipes. The National Sanitation Foundation (NSF) specifically does not allow the use of any chemical agent solutions for use with cleaning potable water piping systems. Thus, these systems cannot be legally used in the United States for cleaning out water piping systems.

Other systems have been proposed that use dry particulate materials as a cleaning agent that is sprayed from mobile devices that travel through or around the pipes. See U.S. Pat. No. 4,314,427 to Stolz; and U.S. Pat. No. 5,085,016 to Rose. However, these traveling devices require large diameter pipes to be operational and cannot be used inside of pipes that are less than approximately 6 inches in diameter, and would not be able to travel around narrow bends. Thus, these devices cannot be used in small diameter pipes found in potable water piping systems that also have sharp and narrow bends.

The proposed systems and devices referenced above generally require sectioning a small pipe length for cleaning and coating type applications, or limiting the application to generally straight elongated pipe lengths. For large building such as multistory applications, the time and cost to section off various piping sections would be cost prohibitive. None of the prior art is known to be able to service an entire building's water type piping system at one time in one complete operation.

Thus, the need exists for solutions to the above problems with fixing existing piping systems in buildings.

SUMMARY OF THE INVENTION

A primary objective of the invention is to provide methods, systems and devices for repairing interior walls of pipes in buildings without having to physically remove and replace the pipes.

A secondary objective of the invention is to provide methods, systems and devices for repairing interior walls of pipes by initially cleaning the interior walls of the pipes.

A third objective of the invention is to provide methods, systems and devices for repairing interior walls of pipes by applying a corrosion protection barrier coating to the interior walls of the pipes.

A fourth objective of the invention is to provide methods, systems and devices for repairing interior walls of pipes in buildings in a cost effective and efficient manner.

A fifth objective of the invention is to provide methods, systems and devices for repairing interior walls of pipes which is applicable to small diameter piping systems from approximately $\frac{3}{8}$ " to approximately 6" in piping systems made of various materials such as galvanized steel, black steel, lead, brass, copper or other materials such as composites including plastics, as an alternative to pipe replacement.

A sixth objective of the invention is to provide methods, systems and devices for repairing interior walls of pipes which is applied to pipes, "in place" or insitu minimizing the need for opening up walls, ceilings, or grounds.

A seventh objective of the invention is to provide methods, systems and devices for repairing interior walls of pipes which minimizes the disturbance of asbestos lined piping or walls/ceilings that can also contain lead based paint or other harmful materials.

An eighth objective of the invention is to provide methods, systems and devices for repairing interior walls of pipes where once the existing piping system is restored with a durable epoxy barrier coating the common effects of corrosion from water passing through the pipes will be delayed if not stopped entirely.

A ninth objective of the invention is to provide methods, systems and devices for repairing interior walls of pipes to clean out blockage where once the existing piping system is restored, users will experience an increase in the flow of water, which reduces the energy cost to transport the water. Additionally, the barrier epoxy coating being applied to the interior walls of the pipes can create enhanced hydraulic capabilities again giving greater flow with reduced energy costs.

A tenth objective of the invention is to provide methods, systems and devices for repairing interior walls of pipes where customers benefit from the savings in time associated with the restoration of an existing piping system.

An eleventh objective of the invention is to provide methods, systems and devices for repairing interior walls of pipes where customers benefit from the economical savings associated with the restoration of an existing piping system, since walls, ceilings floors, and/or grounds do not always need to be broken and/or cut through.

A twelfth objective of the invention is to provide methods, systems and devices for repairing interior walls of pipes where income producing properties experience savings by remaining commercially usable, and any operational interference and interruption of income-producing activities is minimized.

A thirteenth objective of the invention is to provide methods, systems and devices for repairing interior walls of pipes where health benefits had previously accrued, as the water to metal contact will be stopped by a barrier coating thereby

preventing the leaching of metallic and potentially other harmful products from the pipe into the water supply such as but not limited to lead from solder joints and from lead pipes, and any excess leaching of copper, iron and lead.

A fourteenth objective of the invention is to provide methods, systems and devices for repairing interior walls of pipes where the pipes are being restored in-place thus causing less demand for new metallic pipes, which is a non-renewable resource.

A fifteenth objective of the invention is to provide methods, systems and devices for repairing interior walls of pipes using a less intrusive method of repair where there is less building waste and a reduced demand on expensive landfills.

A sixteenth objective of the invention is to provide methods, systems and devices for repairing interior walls of pipes where the process uses specially filtered air that reduces possible impurities from entering the piping system during the process.

A seventeenth objective of the invention is to provide methods, systems and devices for repairing interior walls of pipes where the equipment package is able to function safely, cleanly, and efficiently in high customer traffic areas.

An eighteenth objective of the invention is to provide methods, systems and devices for repairing interior walls of pipes where the equipment components are mobile and maneuverable inside buildings and within the parameters typically found in single-family homes, multi unit residential buildings and various commercial buildings.

A nineteenth objective of the invention is to provide methods, systems and devices for repairing interior walls of pipes where the equipment components can operate quietly, within the strictest of noise requirements such as approximately seventy four decibels and below when measured at a distance of approximately several feet away.

A twentieth objective of the invention is to provide methods, systems and devices for repairing interior walls of pipe where the barrier coating material for application in a variety of piping environments, and operating parameters such as but not limited to a wide temperature range, at a wide variety of airflows and air pressures, and the like.

A twenty first objective of the invention is to provide methods, systems and devices for repairing interior walls of pipes where the barrier coating material and the process is functionally able to deliver turnaround of restored piping systems to service within approximately twenty four hours or less or no more than approximately ninety six hours for large projects.

A twenty second objective of the invention is to provide methods, systems and devices for repairing interior walls of pipes where the barrier coating material is designed to operate safely under NSF (National Sanitation Foundation) Standard 61 criteria in domestic water systems, with adhesion characteristics within piping systems in excess of approximately 400 PSI.

A twenty third objective of the invention is to provide methods, systems and devices for repairing interior walls of pipes where the barrier coating material is designed as a long-term, long-lasting, durable solution to pipe corrosion, pipe erosion, pinhole leak and related water damage to piping systems where the barrier coating extends the life of the existing piping system.

A twenty fourth objective of the invention is to provide methods, systems and devices for both cleaning and coating interiors of pipes having diameters of up to approximately 6 inches using dry particulates, such as sand and grit, prior to coating the interior pipe walls.

A twenty fifth objective of the invention is to provide methods, systems and devices for both cleaning and coating interiors of pipes having diameters of up to approximately 6 inches in plural story buildings, without having to section off small sections of piping for cleaning and coating applications.

A twenty sixth objective of the invention is to provide methods, systems and devices for cleaning the interiors of an entire piping system in a building in a single pass run operation.

A twenty seventh objective of the invention is to provide methods, systems and devices for barrier coating the interiors of an entire piping system in a building in a single pass run operation.

The novel method and system of pipe restoration prepares and protects small diameter piping systems such as those within the diameter range of approximately $\frac{3}{8}$ of an inch to approximately six inches and can include straight and bent sections of piping from the effects of water corrosion, erosion and electrolysis, thus extending the life of small diameter piping systems. The barrier coating used as part of the novel process method and system, can be used in pipes servicing potable water systems, meets the criteria established by the National Sanitation Foundation (NSF) for products that come into contact with potable water. The epoxy material also meets the applicable physical criteria established by the American Water Works Association as a barrier coating. Application within buildings ranges from single-family homes to smaller walk-up style apartments to multi-floor concrete high-rise hotel/resort facilities and office towers, as well as high-rise apartment and condominium buildings and schools. The novel method process and system allows for barrier coating of potable water lines, natural gas lines, HVAC piping systems, hot water lines, cold water lines, drain lines, and fire sprinkler systems.

The novel method of application of an epoxy barrier coating is applied to pipes right within the walls eliminating the traditional destructive nature associated with a re-piping job. Typically 1 riser system or section of pipe can be isolated at a time and the restoration of the riser system or section of pipe can be completed in less than one to four days (depending upon the building size and type of application) with water restored within approximately 24 to approximately 96 hours. For hotel and motel operators that means not having to take rooms off line for extended periods of time. Too, for most applications, there are no walls to cut, no large piles of waste, no dust and virtually no lost room revenue. Entire building piping systems can be cleaned within one run through pass of using the invention. Likewise, an entire building piping system can be coated within one single pass operation as well.

Once applied, the epoxy coating creates a barrier coating on the interior of the pipe. The application process and the properties of the epoxy coating ensure the interior of the piping system is fully coated. Epoxy coatings are characterized by their durability, strength, adhesion and chemical resistance, making them an ideal product for their application as a barrier coating on the inside of small diameter piping systems.

The novel barrier coating provides protection and extended life to an existing piping system that has been affected by erosion corrosion caused from internal burrs, improper soldering, excessive turns, and excessive water velocity in the piping system, electrolysis and "wear" on the pipe walls created by suspended solids. The epoxy barrier coating will create an approximately 4 mil or greater covering to the inside of the piping system.

There are primarily 3 types of metallic piping systems that are commonly used in the plumbing industry—copper, steel

and cast iron. New steel pipes are treated with various forms of barrier coatings to prevent or slow the effects of corrosion. The most common barrier coating used on steel pipe is the application of a zinc based barrier coat commonly called galvanizing. New copper pipe has no barrier coating protection and for years was thought to be corrosion resistant offering a lifetime trouble free use as a piping system.

Under certain circumstances that involved a combination of factors of which the chemistry of water and installation practices a natural occurring barrier coating would form on the inside of copper pipes which would act as a barrier coating, protecting the copper piping system against the effects of corrosion from the water.

In recent history, due to changes in the way drinking water is being treated and changes in installation practices, the natural occurring barrier coating on the inside of copper pipe is not being formed or if it was formed is now being washed away. In either case without an adequate natural occurring barrier coating, the copper pipe is exposed to the effects of corrosion/erosion, which can result in premature aging and failure of the piping system.

With galvanized pipe the zinc coating wears away leaving the pipe exposed to the effects of the corrosive activity of the water. This results in the pipe rusting and eventually failing.

The invention can also be used with piping systems having plastic pipes, PVC pipes, composite material, and the like.

The novel method and system of corrosion control by the application of an epoxy barrier coating to new or existing piping systems is a preventative corrosion control method that can be applied to existing piping systems in-place.

The invention includes novel methods and equipment for providing barrier coating corrosion control for the interior walls of small diameter piping systems. The novel process method and system of corrosion control includes at least three basic steps: Air Drying a piping system to be serviced; profiling the piping system using an abrasive cleaning agent; and applying the barrier coating to selected coating thickness layers inside the pipes. The novel invention can also include two additional preliminary steps of: diagnosing problems with the piping system to be serviced, and planning and setting up the barrier coating project onsite. Finally, the novel invention can include a final end step of evaluating the system after applying the barrier coating and re-assembling the piping system.

Further objects and advantages of this invention will be apparent from the following detailed description of the presently preferred embodiments which are illustrated schematically in the accompanying drawings.

BRIEF DESCRIPTION OF THE FIGURES

FIG. 1 shows the general six steps that is an overview for applying the barrier coating.

FIGS. 2A, 2B, 2C and 2D shows a detailed process flow-chart using the steps of FIG. 1 for providing the barrier coating.

FIG. 3 shows a side view of a multi-story story building using the novel barrier coating corrosion control method and system of the invention.

FIG. 4 shows a side view of the novel exhaust air diffuser used in the barrier coating control system in FIG. 3.

FIG. 5A shows a perspective view of the novel portable air distribution manifold used in the barrier coating control system in FIG. 3.

FIG. 5B shows a side view of the novel Pressure Generator System (Sander) 500 used in the barrier coating control system of FIG. 3.

7

FIG. 5C is an enlarged view of the front control panel for use with the pressure generator system 500 of FIG. 5B.

FIG. 6A shows a side view of the novel Abrasive Reclaim Separator Module (Pre-Filter) used in the barrier coating control system of FIG. 3.

FIG. 6B shows an end view of the novel Abrasive Reclaim Separator Module (Pre-Filter) used in the barrier coating control system of FIG. 3.

FIG. 7A shows a side view of the novel Dust Collector System 700 (Filter) used in the barrier coating control system of FIG. 3

FIG. 7B shows an enlarged side cross-sectional view of the mounted Cartridge Filters used in the Dust Collector System of FIG. 7A.

FIG. 8A shows a perspective view of the novel Portable Epoxy Metering and Dispensing Unit 800 (Epoxy Mixer) used in the barrier coating control system of FIG. 3

FIG. 8B shows another perspective view of the novel Portable Epoxy Metering and Dispensing Unit 800 (Epoxy Mixer) used in the barrier coating control system of FIG. 3

FIG. 8C shows an enlarged view of the foot dispenser activator a part of the novel Portable Epoxy Metering and Dispensing Unit 800 (Epoxy Mixer) used in the barrier coating control system of FIG. 3

FIG. 8D is an enlarged view of the mixing tubes and mixing head of FIG. 8B.

FIG. 9 shows a side view of the novel Main Air Header and Distributor 200 (Header) used in the barrier coating control system of FIG. 3.

DESCRIPTION OF THE PREFERRED EMBODIMENTS

Before explaining the disclosed embodiments of the present invention in detail it is to be understood that the invention is not limited in its application to the details of the particular arrangements shown since the invention is capable of other embodiments. Also, the terminology used herein is for the purpose of description and not of limitation.

FIG. 1 shows the general six steps for a project overview for applying the barrier coating to an existing piping system, which include step one, 10 program diagnosis, step two, 20 project planning, step three, 30 drying piping system, step four 40, profiling the piping system, step five, 50 barrier coating interior walls of the pipes in the piping system, and final step six 60 evaluation and return to operation of the piping system.

Step One—Problem Diagnosis 10

For step one, 10, several steps can be done to diagnose the problem with a piping system in a building, and can include:

- (a) Interview onsite engineering staff, property managers, owners or other property representatives as to the nature of the current problem with the piping system.
- (b) Evaluation of local and on-site water chemistry being used in the piping system for hardness and aggressive qualities.
- (c) Engineering evaluation, if necessary, to determine extent of present damage to the wall thickness of the piping and overall integrity of the piping system.
- (d) Additional on-site testing of piping system, if necessary, identifying leaks or the nature or extent of leaking.
- (e) Corrosion control proposal development for client, including options for pipe and fitting replacement where necessary.

After completion of step one, 10, the project planning and setup step 20 can be started.

Step Two—Project Planning and Setup 20

8

For step two, 20, several steps can be followed for planning and setup for restoring the integrity of the piping system in a building, and can include:

- (a) Complete contract development with client, after the diagnosis contract has started.
- (b) Commence project planning with site analysis crew, project management team, and on-site engineering/maintenance staff.
- (c) Plan delivery of the equipment and supplies to the worksite.
- (d) Complete equipment and supply delivery to worksite.
- (e) Commence and complete mechanical isolation of the piping system.
- (f) Commence and complete set up of hosing and equipment.

Step Three—Air Drying—Step 1 Method of Corrosion Control 30

For step three, 30, the piping system to be prepared for the coating by drying the existing pipes, and can include:

- (a) Piping systems are mapped.
- (b) Isolations of riser systems or pipe sections are prepared and completed.
- (c) The isolated piping system to receive the barrier coating is adapted to be connected to the barrier coating equipment.
- (d) The isolated riser system is drained of water.
- (e) Using moisture and oil free, hot compressed air, a flushing sequence is completed on the riser system to assure water is removed.
- (f) Riser system is then dried with heated, moisture and oil free compressed air.
- (g) Length of drying sequence is determined by pipe type, diameter, length complexity, location and degree of corrosion contained within the piping system, if any.
- (h) Inspections are completed to assure a dry piping system ready for the barrier coating.

Step Four—Piping System Profiling—Step 2 of Method of Corrosion Control 40

For step four, 40, the piping system is to be profiled, and can include:

- (a) Dried pipes can be profiled using an abrasive agent in varying quantities and types. The abrasive medium can be introduced into the piping system by the use of the moisture and oil free heated compressed air using varying quantities of air and varying air pressures. The amount of the abrading agent is controlled by the use of a pressure generator.
- (b) The abraded pipe, when viewed without magnification, must be generally free of all visible oil, grease, dirt, mill scale, and rust. Generally, evenly dispersed, very light shadows, streaks, and discolorations caused by stains of mill scale, rust and old coatings may remain on no more than approximately 33 percent of the surface. Also, slight residues of rust and old coatings may be left in the craters of pits if the original surface is pitted.
- (c) Pipe profiling is completed to ready the pipe for the application of the barrier coating material.
- (d) Visual inspections can be made at connection points and other random access areas of the piping system to assure proper cleaning and profiling standards are achieved.
- (e) An air flushing sequence is completed to the riser system to remove any residuals left in the piping system from the profiling stage.

Step Five—Corrosion Control Epoxy Sealing and Protection of the Piping—Step 3 of the Method of Corrosion Control **50**

For step five, **50**, the piping system is to barrier coated and can include:

- (a) Piping system can be heated with hot, pre-filtered, moisture and oil free compressed air to an appropriate standard for an epoxy coating application.
- (b) Piping system can be checked for leaks.
- (c) Corrosion control barrier coating material can be prepared and metered to manufacturer's specifications using a proportionator.
- (d) Corrosion control barrier coating material can be injected into the piping system using hot, pre-filtered, moisture and oil free compressed air at temperatures, air volume and pressure levels to distribute the epoxy barrier coating throughout the pipe segment, in sufficient amounts to eliminate the water to pipe contact in order to create an epoxy barrier coating on the inside of the pipe.
- (e) The epoxy barrier coating can be applied to achieve coating of approximately 4 mils and greater.
- (f) Once the epoxy barrier coating is injected warm, pre-filtered, moisture and oil free compressed air can be applied over the internal surface of the pipe to achieve the initial set of the epoxy barrier coating.
- (g) Confirm that all valves and pipe segments support appropriate air flow indicating clear passage of the air through the pipe i.e.: no areas of blockage. Allow the barrier coating to cure to manufacturer's standards.

Step Six—System Evaluation and Re-Assembly **60**

The final step six, **60** allows for restoring the piping system to operation and can include:

- (a) Remove all process application fittings.
- (b) Examine pipe segments to assure appropriate coating standards.
- (c) Re-confirm that all valves and pipe segments support appropriate air flow.
- (d) Install original valves, fittings/fixtures, or any other fittings/fixtures as specified by building owner representative.
- (e) Reconnect water system, and water supply.
- (f) Complete system checks, testing and evaluation of the integrity of the piping system.
- (g) Complete a water flush of system, according to manufacturer's specifications.
- (h) Evaluate water flow and quality.
- (i) Document riser schedule, and complete pipe labeling.

FIGS. 2A, 2B, 2C and 2D show a detailed process flow-chart using the steps of FIG. 1 for providing the barrier coating. These flow chart figures show a preferred method of applying a novel barrier coating corrosion control for the interior of small diameter piping systems following a specific breakdown of a preferred application of the invention.

FIG. 3 shows a side view of a ten story building setup for using the novel method and system of the invention. Components in FIG. 3 will now be identified as follows:

IDENTIFIER	EQUIPMENT
100	395, 850, 1100, 1600 CFM Compressors Outfitted with Aftercooler, Water separator, Fine Filter and Reheater
200	Main Air Header and Distributor (Main Header)
300	Exhaust Air Diffuser (Muffler)
400	Portable Air Distribution Manifold (Floor Header)
500	Pressure Generator System (Sander)
600	Reclaim Separator Module (Pre-Filter)

-continued

IDENTIFIER	EQUIPMENT
700	Dust Collector System (Filter)
800	Portable Epoxy Metering and Dispensing Unit (Epoxy Mixer)
900	Epoxy Barrier Coating

Referring to FIG. 3, components **100-800** can be located and used at different locations in a ten story building. The invention allows for an entire building piping system to be cleaned in one single pass through run without having to dismantle either the entire or multiple sections of the piping system. The piping system can include pipes having diameters of approximately 3/8 of an inch up to approximately 6 inches in diameter with the piping including bends up to approximately ninety degrees or more throughout the building. The invention allows for an entire building piping system to have the interior surfaces of the pipes coated in one single pass through run without having to dismantle either the entire or multiple parts of the piping system. Each of the components will now be defined.

100 Air Compressor

The air compressors **100** can provide filtered and heated compressed air. The filtered and heated compressed air employed in various quantities is used, to dry the interior of the piping system, as the propellant to drive the abrasive material used in cleaning of the piping system and is used as the propellant in the application of the epoxy barrier coating and the drying of the epoxy barrier coating once it has been applied. The compressors **100** also provide compressed air used to propel ancillary air driven equipment.

200 Main Air Header and Distributor

An off the shelf main header and distributor **200** shown in FIGS. 3 and 9 can be one Manufactured By: Media Blast & Abrasives, Inc. 591 W. Apollo Street Brea, Calif. 92821 The components of the main header and distributor of FIG. 9 are labeled as follows.

Description of Main Header Equipment Describing Each Component:

12 & 14 Gauge Steel Construction
Approximate Dimensions: 28" w x 27" l x 53" h

Ford Grabber Blue Powder-coating

Air Pressure Gauge **205**

Regulator Adjustment **210**

Air Pressure Regulator **215**

Moisture Bleeder Valve **220**

2 2" NPT Inlet With Full Port Ball Valve **225**

14—1" Side-Mounted Ball Valves—Regulated Air **230**

4—1" Top Mounted Ball Valves—Unregulated Air **235**

1—2" Top Mounted full port Ball Valve—Unregulated Air **240**

1—2" Top Mounted Full Port Ball Valve—Regulated Air **245**

1.9 Cubic Feet Pressure Pot **250**

Insulated Cabinet **255**

Two Inflatable Tires **260**

Push/Pull Handles **265**

Referring to FIGS. 3 and 9, the Main Header **200** provides safe air management capability from the air compressor for both regulated and unregulated air distribution (or any combination thereof) to the various other equipment components and to both the piping system risers and fixture outlets for a range of piping configurations from a single family home to a multi-story building. The air enters through the 2" NPT inlet,

225 to service the pressure vessel. The main header **200** can manage air capacities ranging to approximately 1100 CFM and approximately 125 psi.

There are many novel parts and benefits with the Main Header and Distributor **200**. The distributor is portable and is easy to move and maneuver in tight working environments. Regulator Adjustment **210** can easily and quickly manage air capacities ranging to approximately 1600 CFM and approximately 200 psi, and vary the operating airflows to each of the other ancillary equipment associated with the invention. The Air Pressure Regulator **210** and the Method of Distributing the air allows both regulated and unregulated air management from the same equipment in a user-friendly, functional manner. The approximately 1" Valving **230, 235, 245** allows accommodation for both approximately 1" hosing and with adapters, and hose sizes of less than approximately 1" can be used to meet a wide variety of air demand needs on a job site. The insulated cabinet **255**, surrounding air works dampens noise associated with the movement of the compressed air. The insulated cabinet **255**, helps retain heat of the pre-dried and heated compressed air, the pre-dried and heated compressed air being an integral part of the invention. The insulated cabinet **255**, helps reduce moisture in the pressure vessel and air supply passing through it. Finally, the valving of the pressure vessel allows for delivery (separate or simultaneous) of regulated air to the side mounted air outlet valves **230**, the top mounted regulated air outlet valves **245**, as well as the top mounted unregulated air outlet valves **235** and **240**.

FIG. 4 shows a side view of the novel exhaust air diffuser **300** used in the barrier coating control system in FIG. 3.

300 Exhaust Air Diffuser (Muffler)

Referring to FIGS. 3 and 4, an exhaust air diffuser and muffler **300** that can be used with the invention can be one Manufactured By: Media Blast & Abrasives, Inc. 591 W. Apollo Street, Brea, Calif. 92821.

Description of Muffler **300** components:

- 12 & 14 Gauge Steel Construction
- Approximate Dimensions: 34" w×46" l×76" h
- Ford Grabber Blue Powder-coating
- Vented Access Panels on Both Sides of Unit **305**
- Vented End Panels **310**
- Dust Drawer with Removable Pan **315**
- Canvas Dust Bag Diffusers **320**
- 2" NPT Inlet **325**
- 4"×8" Expansion Chamber **330**
- Overhead Plenum **335**
- Two Swivel Casters **340**
- Two Locking Casters **350**
- Push/Pull Handles **360**

Referring to FIGS. 3 and 4, the Air Diffuser/Muffler **300** allows the safe, wholesale dumping of unregulated or regulated air from the compressor off of the Main Header **200** through the approximately 2" NPT inlet, into the expansion chamber and canvas dust bag diffusers for the purpose of controlling the air temperature in the piping system during the drying phase, the pipe warming phase, the epoxy application phase and the initial curing phase of the epoxy barrier coating material after it is injected into the piping system. The Air diffuser **300** can eliminate the need to operate the air filter **600** during various stages of the process, promoting energy efficiency as the filter **600** is an air assisted and electrically powered piece of invention.

There are many novel parts and benefits to the Exhaust air diffuser **300**. The diffuser's portability allows for easy to move and maneuver in tight working environments. Vented access panels **305** allow for safe and even distribution of the air upon venting, prevents the build up of backpressure of the

venting air and reduces the noise of the venting air. A Dust Drawer with Removable Pan **315** allows for easy clean out of the expansion chamber. A Canvas Dust Bag Diffuser **320** assures quiet, customer friendly discharge of air. An approximately 2" NPT Inlet **325** allows full range of air diffusion from approximately 1" to approximately 2" discharge hoses. A 4"×8" Expansion Chamber **330** allows for rapid dispersing of the air upon entering the Air Diffuser **300**. The expansion chamber **330** permits the compressed air that enters the diffuser **300** to expand allowing for a more efficient and safe passage to exit, which reduces the noise of the air upon departure and helps reduce the build up of backpressure of the exiting air from the piping system. The Air Diffuser **300** promotes the rapid unrestricted movement of the compressed air in volumes greater than approximately 1100 CFM and can operate with air pressures greater than approximately 120 PSI. When used in conjunction with the heated, pre-filtered compressed air of the compressor **100**, the use of the Air Diffuser **300** creates a more efficient movement of the heated air, which results in a cost savings by drying the pipes faster, drying the epoxy faster, which in turn saves manpower, fuel and reduces the operational time of the compressor **100**.

FIG. 5A shows a preferred portable air distribution manifold **400** that can be used in the exemplary setup shown in FIG. 3.

400 Portable Air Distribution Manifold

Referring to FIGS. 3 and 5A, an on off-the-shelf manifold **400** can be one Manufactured By: M & H Machinery 45790 Airport Road, Chilliwack, BC, Canada

Description of Manifold **400** Components:

- Main Air Cylinder 2½"×12" Schedule 40 Steel Construction
- Ford Grabber Blue Paint Finishes
- 4—1" Welded Nipples Placed at a 45° Angle to the Base Cylinder; Male Threaded **410**
- 1" NPT Female Threaded Portals at Each End of Cylinder **420**
- 2 Metal Legs for Support and Elevation of Manifold **430**
- Pressure Rated Vessels to 125 PSI or Greater **440**
- Attached for Air Control, 1" Full Port Ball Valves NPT; Female Threaded **450**

All Hose End Receptors are NPT 1"; Female Threaded **460**

As part of the general air distribution system set up, the floor manifolds **400** can be pressure rated vessels designed to evenly and quietly distribute the compressed air to at least 5 other points of connection, typically being the connections to the piping system. Airflow from each connection at the manifold is controlled by the use of individual full port ball valves.

There are many novel parts and benefits to the Air Manifold **400**. The portability of manifold **400** allows for easy to move and maneuver in tight working environments. The elevated legs **430** provide a stable base for unit **400** as well as keep the hose end connections off the floor with sufficient clearance to permit the operator ease of access when having to make the hose end connections. The threaded nipples **410** placed at approximately 45° angle allow for a more efficient use of space and less restriction and constriction of the airline hoses they are attached to. Multiple manifolds **400** can be attached to accommodate more than 5 outlets. The manifolds can be modular and can be used as 1 unit or can be attached to other units and used as more than 1.

FIG. 5B shows a perspective view of the novel pressure generator sander system **500** used in the barrier coating control system in FIG. 3. FIG. 5C shows the front control panel of the sander system.

500 Pressure Generator System-Sander

Referring to FIGS. 3, 5B and 5C, a pressure generator sander **500** that can be used with the invention can be one Manufactured By: Media Blast & Abrasives, Inc. 591 W. Apollo Street Brea, Calif. 92821.

Description of Sander **500** Components:

- 12 & 14 Gauge Steel Construction
- Approximate Dimensions: 20" w×24" l×42" h
- Ford Grabber Blue Powder-coating
- 1—1" NPT Inlets **505**
- 1—1" NPT Outlet **510**
- 3—Air Breather Mufflers **515**
- Pop-up Valve gasket **520**
- Pop-up Valve **525**
- Hand Port Gasket **530**
- Pressure Pot with Hand Port and Hopper **535**
- Filler Lid with Latches **540**
- Mixing Valve **545**
- Remote Regulator **550**
- Process Valve **555**
- Toggle Switch **560**
- Air Pressure Gauge **565**
- Regulator Adjustment **570**
- Pulse Button **580**
- Wheel Assembly **585**
- 2—Inflatable Tires **590**

The pressure generating sander system **500** can provide easy loading and controlled dispensing of a wide variety of abrasive medium in amounts up to approximately 1.3 US gallons at a time. The pressure generator sander can include operational controls that allow the operator to easily control the amount of air pressure and control the quantity of the abrasive medium to be dispersed in a single or multiple application. The abrasive medium can be controlled in quantity and type and is introduced into a moving air steam that is connected to a pipe or piping systems that are to be sand blasted clean by the abrasive medium. The sand can be introduced by the pressure generator sander system **500** by being connected to and be located outside of the piping system depicted in FIG. 3. The novel application of the sander system **500** allows for cleaning small pipes having diameters of approximately 3/8" up to approximately 6".

Table 1 shows a list of preferred dry particulate materials with their hardness ratings and grain shapes that can be used with the sand generator **500**, and Table 2 shows a list of preferred dry particulate particle sieve sizes that can be used with the invention.

TABLE 1

PARTICULATES		
Material	Hardness Rating	Grain Shape
Diamond	10	Cubical
Aluminium Oxide	9	Cubical
Silica	5	Rounded
Garnet	5	Rounded
Walnut shells	3	Cubical

TABLE 2

PARTICULATE SIZE			
SIEVE SIZE OPENING			
U.S. Mesh	Inches	Microns	Millimeters
4	.187	4760	4.76
8	.0937	2380	2.38
16	.0469	1190	1.19
25	.0280	710	.71
45	.0138	350	.35

There are many novel parts and benefits to the use of the Pressure Generator Sander System **500**. The portability allows for easy to move and maneuver in tight working environments. The sander **500** is able to accept a wide variety of abrasive media in a wide variety of media size. Variable air pressure controls **570** in the sander **500** allows for management of air pressures up to approximately 125 PSI. A mixing Valve **545** adjustment allows for setting, controlling and dispensing a wide variety of abrasive media in limited and controlled quantities, allowing the operator precise control over the amount of abrasive medium that can be introduced into the air stream in a single or multiple application. The filler lid **540**, incorporated as part of the cabinet and the pressure pot allows the operator to load with ease, controlled amounts of the abrasive medium into the pressure pot **535**. The pulse button **580** can be utilized to deliver a single sized quantity of the abrasive material into the air stream or can be operated to deliver a constant stream of abrasive material in to the air stream. All operator controls and hose connections can be centralized for ease of operator use.

FIG. 6A shows a side view of the novel Abrasive Reclaim Separator Module (Pre-Filter) **600** used in the barrier coating control system of FIG. 3. FIG. 6B shows an end view of the novel Abrasive Reclaim Separator Module (Pre-Filter) **600** used in the barrier coating control system of FIG. 3.

Referring to FIGS. 3, 6A and 6B, an off-the-shelf pre-filter that can be used with the invention can be one Manufactured By: Media Blast & Abrasives, Inc. 591 W. Apollo Street Brea, Calif. 92821

Description of Pre-Filter **600** Components:

- 12 & 14 Gauge Steel Construction
- Approximate Dimensions: 23" w×22" l×36" h
- Ford Grabber Blue Powder-coating
- Dust Drawer with Removable Pan **610**
- 2—2" NPT Inlets **620**
- Approximate Dimensions: 13 1/4" w×13 1/4" l×17" h
- Cyclone Chamber/Separator **630**
- 8" Air and Dust Outlet with Flexible Duct to Air Filter **640**
- Two Inflatable Tires **650**
- Push/Pull Handle **660**

During the pipe profiling stage, the Pre-Filter **600** allows the filtering of air and debris from the piping system for more than two systems at a time through the 2—approximately 2" NPT inlets **620**. The cyclone chamber/separator **630** captures the abrasive material and large debris from the piping system, the by products of the pipe profiling process. The fine dust particles and air escape through the approximately 8" air and dust outlet **640** at the top of the machine and are carried to the dust collection equipment **700**, which filters, from the exhausting air, fine particulates, that may not have been captured with the Pre-Filter **600**.

There are many novel parts and benefits to the Pre-Filter **600**. The pre-filter has portability and is easy to move and

maneuver in tight working environments. The Dust Drawer with Removable Pan **610** allows for easy clean out of the abrasive media and debris from the pipe. The Cyclone Chamber/Separator **630** slows and traps the abrasive media and debris from the piping system and air stream, and prevents excess debris from entering into the filtration equipment. The 2—approximately 2" NPT Inlet **620** allows a full range of air filtration from two separate riser or piping systems. Use of the approximately 8" or greater flex tube **640** as an expansion chamber results in reducing the air pressure of the air as it leaves the pre-filter **600** and reduces the potential for back pressure of the air as it departs the pre-filter and enhances the operational performance of the air filter. When used in conjunction with the air filter **700**, the Pre-filter **600** provides a novel way of separating large debris from entering the final stage of the filtration process. By filtering out the large debris with the pre-filter **600** this promotes a great efficiency of filtration of fine particles in the final stages of filtration in the air filter **700**. The approximately 8" air and dust outlet **640** to the air filter **700** from the pre-filter **600** permits the compressed air to expand, slowing it in velocity before it enters the air filter **700**, which enhances the operation of the air filter **700**. Process cost savings are gained by the use of the pre-filter **600** by reducing the impact of filtering out the large amounts of debris at the pre-filter stage prior to air entering the air filter **700**. This provides for greater operating efficiencies at the air filter **700** a reduction in energy usage and longer life and use of the actual fine air filters **760** used in the air filter **700**.

700 Dust Collection Filter

Referring to FIGS. 3, 7A and 7B, an off-the-shelf example if a filter **700** used with the invention can be one Manufactured By: Media Blast & Abrasives, Inc. 591 W. Apollo Street, Brea, Calif. 92821.

Description of Air Filter **700** Components:

12 & 14 Gauge Steel Construction

Approximate Dimensions: 24" w×32" l×65" h

Ford Grabber Blue Powder-coating

Dust Drawer with Removable Pan and Tightening Knobs **705**

1—¾ NPT Inlet **710**

2.0 HP Baldor Motor, Volts 115/230 **715**

8" Air and Dust Inlet with Flexible Duct to Pre-Filter **720**

Ball Vibrator Muffler **725**

2—Locking Wheels **730**

2—Swivel and Locking Wheels **735**

Pushbutton Switch **740**

Mushroom Head Switch **745**

Selector Switch **750**

Tightening Knob **755**

2—Corrugated Cartridge Filters, approximately 99.98% Efficient, Collecting 0.5 Micron Particles (based on SAE-J726 test) **760**

Cartridge Mounting Rods **765**

Cartridge Mounting Plates **770**

Filter Tightening Knobs **775**

Filter Ball Tightening Knobs **780**

Sliding Air Control Exit Vent **785**

During the pipe profiling stage, the filter or dust collector **700** is the final stage of the air filtration process. The dust collector **700** filters the passing air of fine dust and debris from the piping system after the contaminated air first passes through the pre-filter **600** (abrasive reclaim separator module). During the epoxy coating drying stage the filter **700** is used to draw air through the piping system, keeping a flow of air running over the epoxy and enhancing its drying characteristics. The filter **700** creates a vacuum in the piping system

which is used as method of checking for airflow in the piping system, part of the ACE DuraFlo process. The dust collector **700** can be capable of filtering air in volumes up to approximately 1100 CFM.

There are many novel parts and benefits to the Air Filter **700**. The air filter has portability and is easy to move and maneuver in tight working environments. The Dust Drawer with Removable Pan **705** allows for easy clean out of the abrasive media and debris from the filtration chamber. The 8" flexible duct **640** (from FIG. 6A) permits the compressed air to expand and slow in velocity prior to entering the dust collector **700**, enhancing efficiency. The sliding air control exit vent **785** permits use of a lower amperage motor on start up. The reduced electrical draw enables the dust collector **700** to be used on common household electrical currents while still being able to maintain its capacity to filter up to approximately 1100 CFM of air. The air filter **700** keeps a flow of air running over the epoxy and enhancing its drying and curing characteristics. The dust collector **700** creates a vacuum in the piping system, which is used as method of checking for airflow in the piping system.

800 Portable Epoxy Metering and Dispensing Unit

Referring to FIGS. 3, 8A, 8B and 8C, a metering and dispensing unit **800** used with the invention can be one Manufactured by: Lily Corporation, 240 South Broadway, Aurora, Ill. 60505-4205.

Description of Metering and Dispensing Unit **800** Components:

Aluminum Frame and Cabinet Construction

Approximate Dimensions: 48" L×48" H×22" W

Blue and Black Anodized Finishes

Electrical Powered Space Heating Element and Thermostat **805**

Temperature Gauge **810**

1—3 Gallon Stainless Steel Pressure Pot for Resin Part A **815**

1—3 Gallon Stainless Steel Pressure Pot for Catalyst Part B **820**

Pressure Valve For Each Tank **825**

Side Door Access Panel **830**

Parts and Tool Drawer **835**

Aluminum Removable Cover To Access Pressure Pots **840**

Adjustable Cycle or Shot Counter **845**

4 Wheels—Swivel and Locking **850**

Coalescing Air Filter **855**

Air Pressure Regulator and Gauge **860**

Foot Dispenser Activator **865**

Abort Switch **870**

On/Off Control Switch **875**

Compressed Air Driven Epoxy Meter and Pump Adjustable for Dispensing Up To 14.76 Oz of Mixed Epoxy Per Single Application. Multiple Applications Can Dispense Up To 75 Gallons of Epoxy Per Hour. **880**

Threaded Epoxy Mixing Head To Accommodate Disposable Epoxy Mixing Tubes **887**, and mixing head **885**

Push/Pull Handle **890**

Epoxy Carrying Tube Hanger **895**

The Portable Epoxy Metering and Dispensing Unit **800** can store up to approximately 3 US gallons of each of A and B component of the two mix component epoxy, and can dispense single shots up to approximately 14.76 oz, in capacities up to approximately 75 US gallons per hour.

The unit **800** can be very mobile and can be used both indoors and outdoors, and it can operate using a 15 Amp 110 AC electrical service i.e.: regular household current and approximately 9 cubic feet (CFM) at 90 to 130 pounds per square inch. The unit **800** requires only a single operator.

The epoxy used with the unit **800** can be heated using this unit to its recommended temperature for application. The epoxy can be metered to control the amount of epoxy being dispensed.

There are many novel parts and benefits to the Epoxy Metering and Dispensing Unit **800**, which include portability and is easy to move and maneuver in tight working environments. The heated and insulated cabinet, all epoxy transit hoses, valves and pumps can be heated within the cabinet. The Top filling pressurized tanks **815** and **820** offers ease and access for refilling. Epoxy can be metered and dispensed accurately in single shot or multiple shots having the dispensing capacity up to approximately 14.76 ounces of material per shot, up to approximately 75 gallons per hour. The position of mixing head **885**, permits a single operator to fill the portable epoxy carrying tubes **887** in a single fast application. The drip tray permits any epoxy overspill at the time of filling to be contained in the drip tray, containing the spill and reducing cleanup. The epoxy carrying tube hanger **895** allows the operator to fill and temporarily store filled epoxy tubes, ready for easy distribution. The pump **880** and heater **805** combination allows for the epoxy to metered "on ratio" under a variety of conditions such as changes in the viscosity of the epoxy components which can differ due to temperature changes which effect the flow rates of the epoxy which can differ giving the operator an additional control on placement of the epoxy by changing temperature and flow rates. Unit **800** overall provides greater operator control of the characteristics of the epoxy in the process.

900 Epoxy Barrier Coating

Referring to FIGS. **3** and **8A**, **8B** and **8C**, a preferred epoxy barrier coating that can be used with the invention can be one Manufactured by: CJH, Inc. 2211 Navy Drive, Stockton, Calif. 95206. The barrier coating product used in this process can be a 2-part thermo set resin with a base resin and a base-curing agent.

The preferred thermo set resin is mixed as a two-part epoxy that is used in the invention. When mixed and applied, it forms a durable barrier coating on pipe interior surfaces and other substrates. The barrier coating provides a barrier coating that protects those coated surfaces from the effects caused by the corrosive activities associated with the chemistry of water and other reactive materials on the metal and other substrates.

The epoxy barrier coating can be applied to create a protective barrier coating to pipes ranging in size approximately $\frac{3}{8}$ " to approximately 6" and greater. The barrier coating can be applied around bends intersections, elbows, t's, to pipes having different diameters and make up. The barrier coating can be applied to pipes in any position e.g.: vertical or horizontal, and can be applied as a protective coating to metal pipes used in fire sprinkler systems and natural gas systems. Up to approximately 4 mils thick coating layers can be formed on the interior walls of the pipes. The barrier coating protects the existing interior walls and can also stop leaks in existing pipes which have small openings and cracks, and the like, of up to approximately $\frac{3}{8}$ " in diameters in size.

Although the process of application described in this invention includes application of thermo set resins other types of thermo set resins can be used.

For example, other thermo set resins can be applied in the process, and can vary depending upon viscosity, conditions for application including temperature, diameter of pipe, length of pipe, type of material pipe comprised of, application conditions, potable and non potable water carrying pipes, and based on other conditions and parameters of the piping system being cleaned and coated by the invention.

Other thermo set type resins that can be used include but are not limited to and can be one of many that can be obtained by numerous suppliers such as but not including: Dow Chemical, Huntsmans Advances Material, formerly Ciba Giegy and Resolution Polymers, formerly Shell Chemical.

Although the novel invention can be applied to all types of metal pipes such as but not limited to copper pipes, steel pipes, galvanized pipes, and cast iron pipes, the invention can be applied to pipes made of other materials such as but not limited to plastics, PVC (polyvinyl chloride), composite materials, polybutidylene, and the like. Additionally, small cracks and holes in plastic type and metal pipes can also be fixed in place by the barrier coating.

Although the preferred applications for the invention are described with building piping systems, the invention can have other applications such as but not limited to include piping systems for swimming pools, underground pipes, in-slab piping systems, piping under driveways, various liquid transmission lines, tubes contained in heating and cooling units, tubing in radiators, radiant in floor heaters, chillers and heat exchange units, and the like.

While the invention has been described, disclosed, illustrated and shown in various terms of certain embodiments or modifications which it has presumed in practice, the scope of the invention is not intended to be, nor should it be deemed to be, limited thereby and such other modifications or embodiments as may be suggested by the teachings herein are particularly reserved especially as they fall within the breadth and scope of the claims here appended.

We claim:

1. A method of applying a barrier coating to pipes, comprising the steps of:

- (a) identifying problems with a piping system;
- (b) planning and setting up an onsite labor and equipment for the piping system;
- (c) air drying interior walls of the piping system;
- (d) profiling the interior walls of the dried piping system, wherein the step (d) of profiling includes the step of: introducing a dry abrasive agent into the piping system by compressed air from a source connected outside of the piping system; and air flushing the piping system to remove any remaining residuals in a single pass run, wherein the introducing and air flushing steps include: generating a vacuum in a second end of the piping system, wherein the compressed air and the vacuum are operating simultaneously with each other;
- (e) applying a barrier coating of at least approximately 4 mils to the interior walls of the profiled piping system; and
- (f) evaluating the interior coated walls of the barrier coated piping system.

2. The method of claim **1**, wherein the planning and setting up step (b) includes the steps of:

- completing contract development for proposal;
- commencing project planning for proposal;
- delivering equipment and supplies to worksite;
- mechanically isolating the piping system;
- setting up of hosing and the equipment at the worksite.

3. The method of claim **1**, wherein the air drying step (c) includes the step of:

- mapping the piping system;
- isolating riser system of the piping system;
- connecting the piping system to the equipment supplying the barrier coating;

19

draining water from the riser system in the piping system;
flushing residual water from the riser system with compressed air;
drying the riser system; and
inspecting the riser system to assure dry condition. 5

4. The method of claim 1, wherein the step (e) of applying the barrier coating includes the step of:
heating the piping system;
checking the piping system for leaks;
preparing and metering the barrier coating to selected valves;
injecting the barrier coating into the piping system with compressed air;
coating interior walls to achieve a coating layer of no less than approximately 4 mils;
injecting compressed air into the piping system to set the coating layer;
curing the coating layer in the piping system.

5. The method of claim 4, wherein the curing step includes the step of:
generating a vacuum in a second end of the piping system, wherein the compressed air and the vacuum are operating simultaneously with each other.

6. The method of claim 1, wherein the step (f) of evaluating includes the steps of:
removing connections to the equipment;
examining pipe segments to assure coating standards;
re-confirming valves and the pipe segments in the piping system support air flow;
re-installing original valves, fittings, fixtures of the piping system;
reconnecting water supply to the piping system;
completing checks of the reconnected piping system to determine integrity;
completing a water flush of the reconnected piping system;
evaluating water flow and quality in the reconnected piping system; and
documenting riser schedule and completing pipe labeling.

7. The method of claim 1, further comprising the step of: providing piping for the piping system having bends of up to and including ninety degree bends in the piping system.

8. A method of mixing and applying a corrosion barrier coating to an existing piping system in a multi-story building, comprising the steps of:
isolating the pipes in the existing multi-story piping system;
cleaning the pipes with a nonliquid agent;
mixing an epoxy material to form a barrier coating;
applying the barrier coating to interior walls of the pipes without dismantling all of the piping system, wherein the barrier coating provides an interior barrier for protecting the interior walls of the pipes in a single run, wherein the steps of cleaning and applying the barrier coating, each includes the steps of:
generating compressed air into one of the piping system; and
generating a vacuum in a second end of the piping system, wherein the compressed air and the vacuum are operating simultaneously with each other; and
restoring the pipes of the existing piping system to service within approximately 24 to approximately ninety six hours.

9. A method of applying a barrier coating to pipes, comprising the steps of:

20

(a) drying interior walls of the pipes in a piping system;
(b) cleaning the interior walls of the dried pipes with dry particulates emanating from a fixed source located outside the piping system, wherein the step (b) of cleaning includes the step of:
introducing a dry abrasive agent into the piping system by compressed air;
inspecting the piping system to assure cleaning and profiling standard;
air flushing the piping system to remove any remaining residuals; and
(c) coating the interior walls of the cleaned piping system with a barrier coating or at least approximately 4 mils in a single pass, wherein the steps of cleaning and coating, each includes the steps of:
generating compressed air into one of the piping system; and
generating a vacuum in a second end of the piping system, wherein the compressed air and the vacuum are operating simultaneously with each other.

10. The method of claim 9, wherein the drying step (a) includes the step of:
mapping the piping system;
isolating risers of the piping system;
connecting the piping system to equipment supplying the barrier coating;
draining water from the riser system in the piping system;
flushing residual water from the riser system with compressed air;
drying the riser system; and
inspecting the riser system to assure dry condition.

11. The method of claim 9, wherein the step (c) of the coating includes the step of:
heating the piping system;
checking the piping system for leaks;
preparing and metering the barrier coating to selected valves;
injecting the barrier coating into the piping system with compressed air;
coating interior walls to achieve a coating layer of at least approximately 4 mils;
injecting compressed air into the piping system to set the coating layer;
curing the coating layer in the piping system.

12. A method of applying a barrier coating to pipes, comprising the steps of:
(a) drying interior walls of the pipes in a building piping system;
(b) cleaning the interior walls of the dried pipes with dry particulates emanating from a fixed source located outside the piping system with a single pass run, wherein the step of cleaning in the single run includes the steps of:
generating compressed air into one of the piping system; and
generating a vacuum in a second end of the piping system, wherein the compressed air and the vacuum are operating simultaneously with each other; and
(c) coating the interior walls of the cleaned piping system with a barrier coating.

13. A method of applying a barrier coating to pipes, comprising the steps of:
(a) drying interior walls of the pipes in a building piping system;

21

- (b) cleaning the interior walls of the dried pipes with dry particulates emanating from a fixed source located outside the piping system, and
- (c) coating the interior walls of the cleaned piping system with a barrier coating, by coating all the interior walls of the pipes in the building piping system in a single pass run, wherein the step of coating in the single run includes the steps of:
- generating compressed air into one of the piping system; and
 - generating a vacuum in a second end of the piping system, wherein the compressed air and the vacuum are operating simultaneously with each other.
- generating a vacuum in a second end of the piping system, wherein the compressed air and the vacuum are operating simultaneously with each other.
14. A pipe renovating method, comprising the steps of: pumping a mixture of pressurized gas and particles of abrasive material into a first end of a pipe; simultaneously applying suction to a second end of the pipe; whereby the mixture is pumped in at the first end and sucked out at the second end of the pipe so as to be conveyed along the pipe with the abrasive particles cleaning the inner surface of the pipe in a single pass; determining when the inner surface of the pipe has been sufficiently cleaned by the abrasive materials; and coating the inner surface of the cleaned pipe with coating material in a single pass; the step of coating the inner surface of the pipe comprises pumping a mixture of gas and liquid coating material into one end of the pipe while applying suction to the other end of the pipe.
15. The method as claimed in claim 14, wherein suction is applied with a vacuum pump.
16. The method as claimed in claim 14, including the step of determining the quantity of coating material required to coat the inner surface of the pipe to a predetermined depth based on the length and diameter of the pipe, and terminating the coating step after the predetermined amount of material has been supplied to the pipe and the coating material is observed at the second end of the pipe.
17. A pipe renovating method, comprising the steps of: drying a pipe by pumping heated air into a first end of the pipe while applying suction at a second end of the pipe; after the pipe as been dried, pumping a mixture of pressurized gas and particles of abrasive material into the first end of the pipe; simultaneously applying suction to the second end of the pipe; whereby the mixture is pumped in at the first end and sucked out at the second end of the pipe so as to be conveyed along the pipe with the abrasive particles cleaning the inner surface of the pipe in a single pass.

22

18. The method as claimed in claim 17, including the steps of determining when the inner surface of the pipe has been sufficiently cleaned by the abrasive material particles and subsequently coating the inner surface of the cleaned pipe with a coating material.
19. The method as claimed in claim 18, wherein the coating material is an epoxy resin.
20. The method as claimed in claim 18, including the step of heating the pipe by an externally located heat source to a predetermined temperature prior to coating the pipe, the heating step comprising pumping heated air into the first end of the pipe and applying suction at the second end of the pipe until first and second predetermined air temperatures are detected at the first and second ends, respectively, of the pipe, and the coating step commencing as soon as said predetermined air temperatures are reached.
21. A pipe renovating method, comprising the steps of: pumping a mixture of pressurized gas and particles of abrasive material into a first end of a pipe; simultaneously applying suction to a second end of the pipe; whereby the mixture is pumped in at the first end and sucked out at the second end of the pipe so as to be conveyed along the pipe with the abrasive particles cleaning the inner surface of the pipe in a single pass; determining when the inner surface of the pipe has been sufficiently cleaned by the abrasive materials; testing the pipe for any leaks; and coating the inner surface of the cleaned pipe with coating material in a single pass.
22. The method, of claim 21, wherein the step of coating includes: forming a coating layer of at least approximately 4 mils.
23. A pipe renovating method, comprising the steps of: pumping a mixture of pressurized gas and particles of abrasive material into a first end of a pipe; simultaneously applying suction to a second end of the pipe; whereby the mixture is pumped in at the first end and sucked out at the second end of the pipe so as to be conveyed along the pipe with the abrasive particles cleaning the inner surface of the pipe in a single pass; determining when the inner surface of the pipe has been sufficiently cleaned by the abrasive materials; and coating the inner surface of the cleaned pipe with coating material in a single pass; and determining the coating layer thickness after the pipe coating step is complete.
24. The method of claim 23, wherein the step of coating includes: forming a coating layer of at least approximately 4 mils.

* * * * *