

37

Jesus Is Risen: Appearance to Mary Magdalene *Matthew 27:57–28:10; John 20:1–18*

*Walk slowly to the sacred story shelf and pick up the tray with the materials for **Jesus' Appearance to Mary**. Carry it carefully with two hands to the circle and place it beside you. Sit quietly while you feel the story forming in you. Then roll out the white underlay and smooth it as you say:*

During
~~Today is~~ Easter, ~~the day~~ we celebrate the mystery that Jesus died and that God made him alive again.

Roll out the beige road. Then take the tomb and place it near the edge of the underlay near you and say:

This is a tomb. It is a special place for the dead.

Place the stone in front of the opening.

When Jesus died, his friends took his body from the cross and put it here.

Move your hand over the surface of the tomb.

They rolled a huge stone in front to close it.

Trace the stone with your finger. Pause. Take the angel and silently roll the stone away. Put the angel behind the stone. Then present Mary and place her on the road.

Mary Magdalene loved Jesus very much. So early Sunday morning, Mary and her friends went back to the tomb.

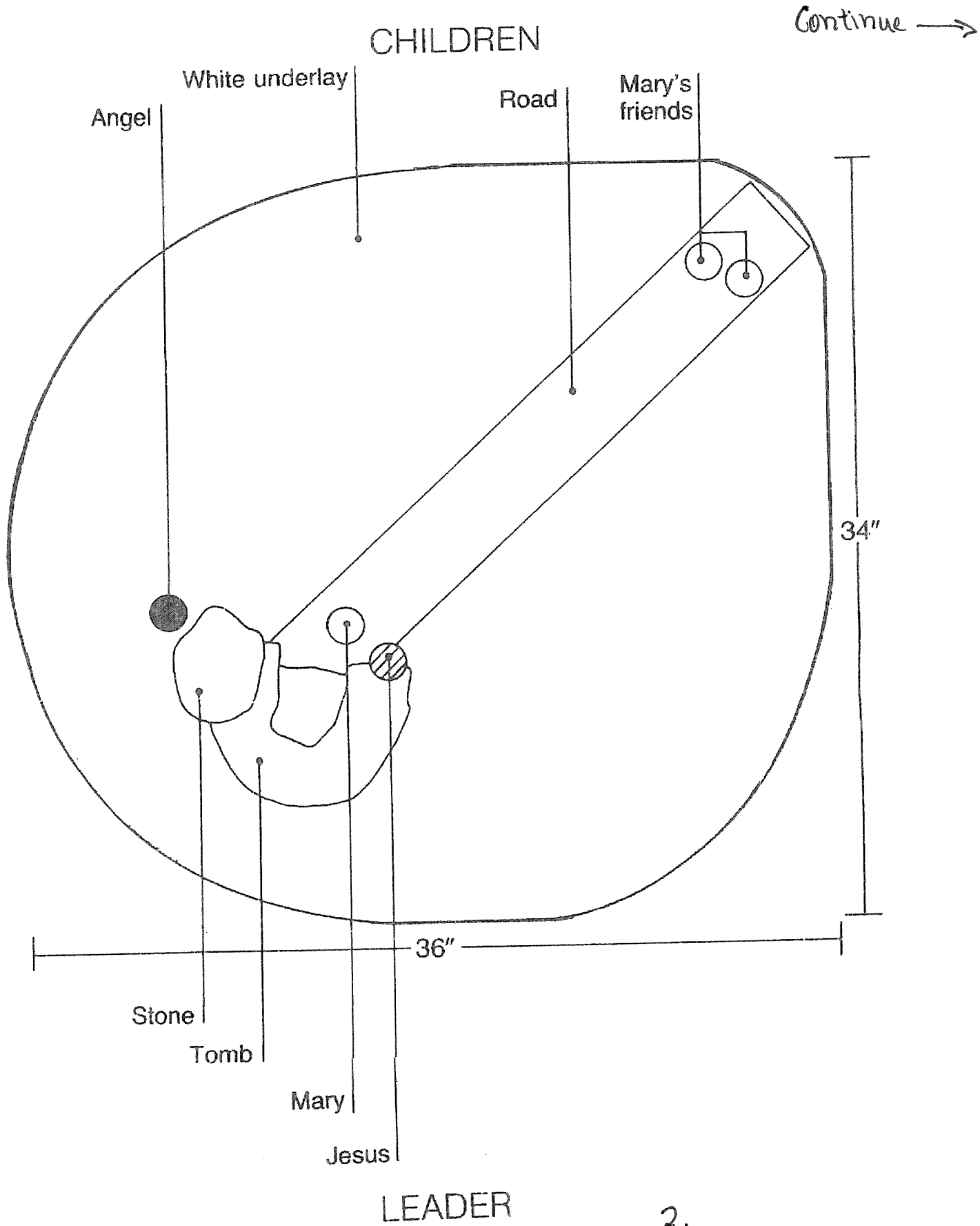
Place her friends beside her and begin moving them toward the tomb.

The tomb was open. Jesus was gone. "Where is he?" they cried.

Bring the angel out from behind the stone.

Then the angel said, "Don't be afraid. Be joyful. Jesus is alive! Go tell the disciples Jesus is risen from the dead."

Move Mary's friends away from the tomb and along the road. Leave Mary near the tomb.



But Mary Magdalene would not leave. She stood crying.

Move Jesus toward her back.

Then someone said, "Who are you looking for?" . . .

Turn Mary around.

. . . and he called her by name: "Mary!" She knew the sound of his voice. It was Jesus! Jesus was alive!

Mary Magdalene was so happy she couldn't help but tell Jesus' friends.

Move Mary to the others.

"I have seen the Lord. Jesus is risen! The Lord is risen indeed."

Responding to God's Word: Wondering Together

I wonder what it was like to be going to Jesus' tomb that Sunday morning? . . .

I wonder how Mary felt when Jesus died? . . .

I wonder what it feels like when someone or something you love dies? . . .

I wonder how Mary felt when Jesus' body was not in the tomb? . . .

I wonder what it was like to hear, "Jesus is alive. Jesus is risen"? . . .

I wonder how Mary knew this person was Jesus? . . .

I wonder how Mary felt when Jesus called her by name? . . .

I wonder what it felt like to tell others that Jesus is risen? . . .

I wonder how we can know that Jesus is alive? . . .

MATERIALS

1. White felt underlay, 34 by 36 inches, with corners rounded
 2. Beige felt for road, 30 inches long by 4 inches wide
 3. Tomb, made from gray clay, large enough to put Jesus figure in (while putting Jesus in the tomb isn't in the story, the children do this when using the materials)
 4. Stone to roll in front of tomb, made from gray clay
 5. *Wooden figures of Mary, two women, angel, and risen Jesus
-
6. Two 5-inch baskets for figures: one for Mary and women, one for angel and Jesus
 7. Tray for materials