

ACCENTO II acdc1131

acdc[®]
Bringing light to life



A compact, exterior, quad LED luminaire with excellent performance, delivering 550lm. IP67 wet locations

CONTENTS



Product overview	05
Application images	07
Detailed product performance	09
Product drawings and images	10
Specification codes	11
Specification sheet	13
Contact details	14

OVERVIEW

A compact, exterior, quad LED luminaire with excellent performance, delivering 550lm. IP67 wet locations

Concealed drainage feature ensures rapid water runoff, preventing standing water collecting on lens

Deep recessed LED position for minimal glare

CNC machined to aerospace tolerances

Built in thermal protection provides safeguard when used in challenging external environments

Can be easily hidden from sight or blend into a façade while delivering powerful punch and power

High efficiency LEDs tested to LM80 standards, 50,000hrs lifetime with lumen maintenance at L70

Dual binned for optimum color consistency across a project - 2 step MacAdam ellipse.

A range of optics is available to suit every application: Uncollimated, 12°, 18°, 30°, 50°, 45° x 10°

Optional honeycomb louver for additional glare control

0-10v dim or switch version available

Integral driver within luminaire, suitable for wet location applications

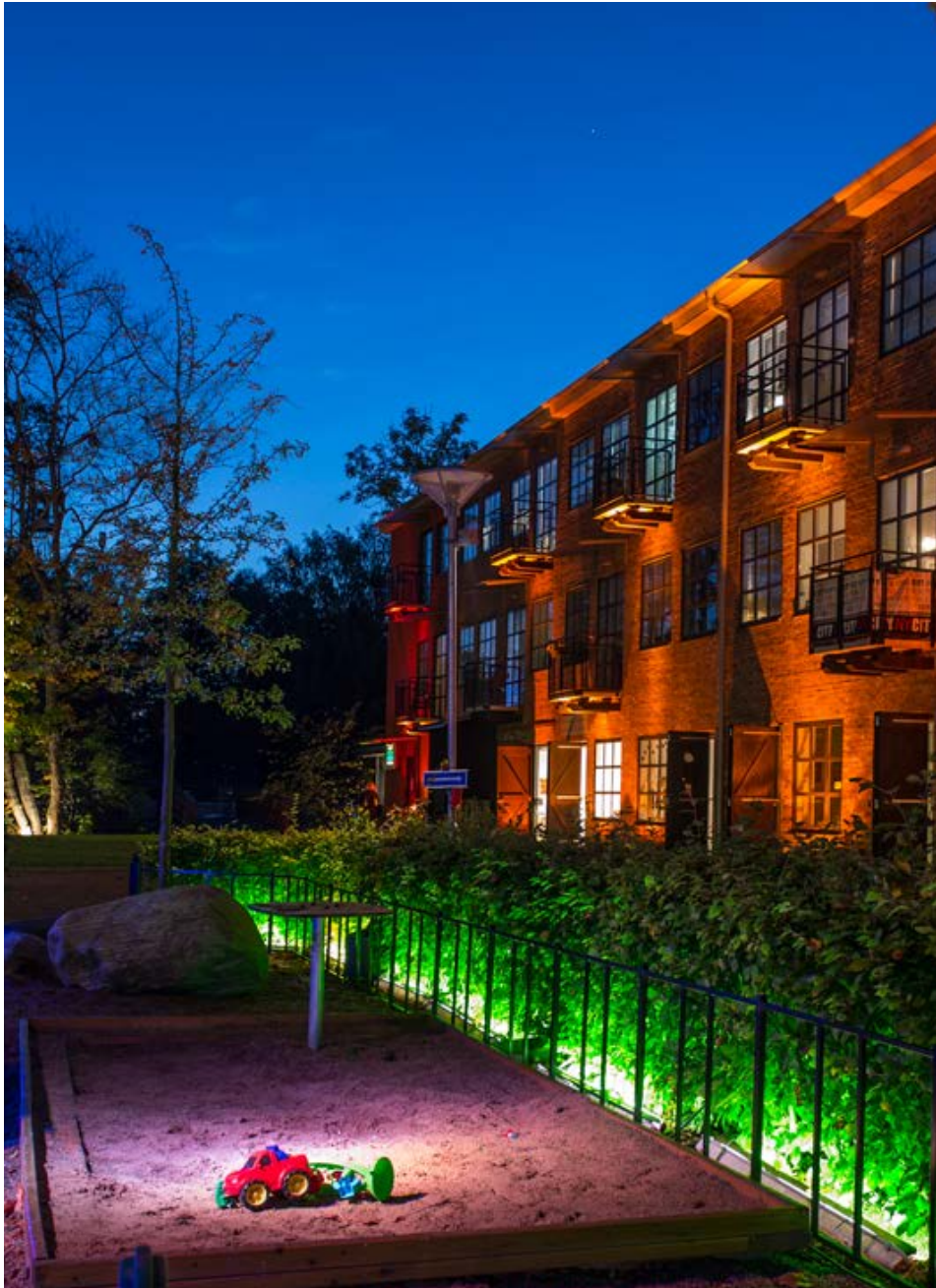
Choice of color finishes available: White, extremely durable anodized aluminum titanium, anodized aluminum, anodized black. For especially demanding environments use hard anodized titanium, hard anodized black, chlorine anodized titanium, chlorine anodized black. White powder coat version features Alocrom 1200 conversion coating for use in harsh or coastal environments.

Supplied with 3' flying leads (fixture sealed at factory)

Fixture design makes this product suitable for elevated temperatures 122°F (50°C)



APPLICATION IMAGES



Lights in Alingsås, Stockholm, Sweden. Project organizers: VIA for PLDA.
acdc LED product: Accento II (acdc1131)



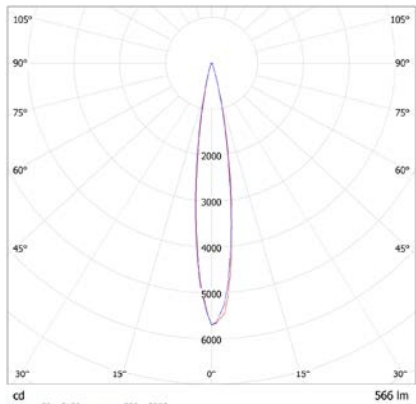
PRODUCT PERFORMANCE



Accento II

LED Type	Cree		
LED Quantity	4		
Drive Current	700mA		
Power Consumption, Including 85% Efficient Driver	9.7W		
PFC	> 0.9		
Color Temp	2700°K	3000°K	4200°K
Initial Color Accuracy	2 Step MacAdam Ellipse		
Color Stability Over Life, Measured at 6000hrs	2 Step MacAdam Ellipse		
CRI	80	80	80
Initial Lamp Lumen Output	744	796	849
Initial Lamp Lumens per Circuit Watt	76.70	82.06	87.53
Lamp Lumen Output including Thermal & Optical Losses	697	746	795
Lamp Lumens (Including Thermal & Optical Losses) per Circuit Watt	71.86	76.91	81.96
Luminaire Lumen Output	529	566	603
Luminaire Lumens per Circuit Watt	54.54	58.35	62.16
Lifetime L70, Based on TM-21	>50,000 hours		
Lumen Depreciation LIF Cat/Codes for % depreciation at 10,000hrs	Cat1/Code9		

Based on 12°



Based on 3000°K and 12°

Mounting Height (ft)	Beam Cone Width (ft)	Orthogonal Beam Cone Width (ft)	Projected Illuminance (fc)
1	0.19	0.19	1957.6
2	0.38	0.38	489.4
3	0.57	0.57	217.5
4	0.76	0.76	122.4
5	0.96	0.96	78.3
10	1.91	1.91	19.6
15	2.87	2.87	8.7
20	3.82	3.82	4.9
25	4.78	4.78	3.1
50	9.55	9.55	0.8



All **acdclighting** products are independently tested in line with LM80 standards, 50,000 hours lifetime with lumen maintenance at L70 to guarantee product performance.

Output data figures stated are typical values.

To download photometric files please visit www.acdclighting.us/LED/ACCENTO

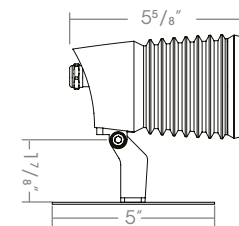
PRODUCT DRAWINGS & IMAGES



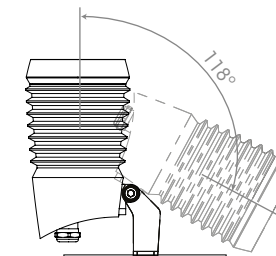
Accento II



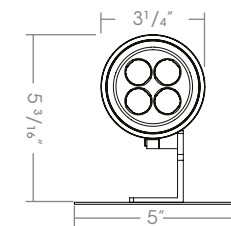
Accento II - Side



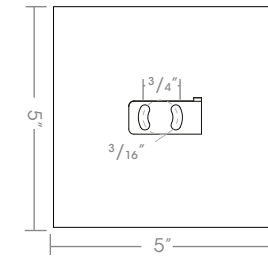
Accento II - Angle of Adjustment



Accento II - Front

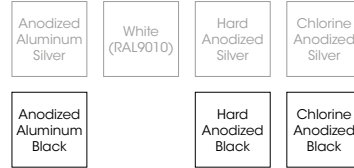


Accento II - Bracket

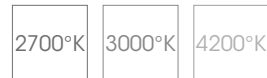


SPECIFICATION CODES

Finishes



LED Color



Optics



Accessories

Honeycomb louver



Accento II

Accento II, Anodized Aluminum Black, 3000°K, 18°, Dimmable, Honeycomb Louvre

acdc1131 / AAB/30/18R/DIM/HCL

Finishes

Anodized Aluminum Titanium	AAS
Anodized Aluminum Black	AAB
White (RAL9010)*	WHI
Hard Anodized Titanium**	HAT
Hard Anodized Black**	HAB
Chlorine Anodized Titanium**	CAT
Chlorine Anodized Black**	CAB

LED Color

2700°K	27
3000°K	30
4200°K	42

Optics

Uncollimated	U
12°	12R
18°	18R
30°	30R
50°	50R
45°x10°	45x10R

Control

Dimmable (0-10v)	DIM
Non-Dimmable	NDIM

Accessories

Honeycomb Louver	HCL
------------------	-----

Additional Option

Ground spike 11 13/16"	acdc1702/300
------------------------	--------------

*RAL available for orders of 50 products or more.

** Available for an additional cost

*Options available for an additional cost

ACCENTO II

acdc1131



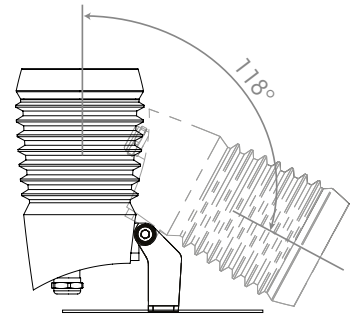
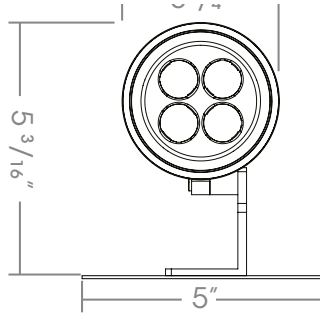
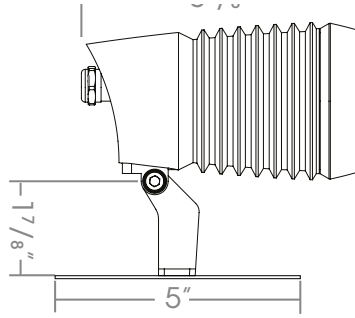
Type

Project name

Quantity

A compact, exterior, quad LED luminaire with 35W halogen output performance, delivering 550lm. IP67 wet locations

Luminaire - Fixed



Construction

Materials: Aluminum, low copper content, CNC machined to aerospace tolerances. Concealed drainage feature ensures rapid water runoff.

Finish: Extremely durable finish in white, anodized aluminum titanium, anodized aluminum black. For especially demanding environments use hard anodized titanium*, hard anodized black*, chlorine anodized titanium*, chlorine anodized black*. White powder coat version features Alocrom 1200 conversion coating for use in harsh or coastal environments.

Beam angles: 12°, 18°, 30°, 45° x 10°, 50°.

Accessories: Honeycomb louver, ground spike (11 13/16").

Installation: Surface mounted. Internal driver with built-in thermal protection.

Adjustability: Tilt thru 118° on lockable bracket.

Temperature: From -4°F to 122°F (-20°C to 50°C)

Thermal protection: Fixture design makes this product suitable for elevated temperatures (122°F)

*Upon request. Minimum order quantity applies.

Performance

Lumen Maintenance: High efficiency LEDs tested to LM80 standards, 50,000hrs lifetime with lumen maintenance at L70

Initial lamp Lumen output*: 796lm

Lamp lumens inc thermal and optical losses*: 746lm

Luminaire Lumens output*: 566lm

Power consumption (inc 85% efficient driver): 9.7W

Efficacy (lm/W)*: 58.35W

CRI: 80

Binning: Dual binned for optimum color consistency across a project - 2 step MacAdam ellipse.

LED color: 2700°K, 3000°K, 4200°K

Driver: Switched (S) and dimmable: 0-10V (D010).

Listings: ETL us/c listed, IBEW made.

IP rating: IP67 - Wet locations

Warranty: 5 year guarantee when supplied with an accompanying driver

Max weight: 1.96lbs (890g)

*Based on 3000°K with 15° optics

Specification codes

Product	Finish	Color Temp	Optics	Control	Accessories
acdc1131	Anodized aluminum silver	2700°k 27	12° 12R	Dimmable (0-10v) DIM	Honeycomb Louver HCL
	Anodized aluminum black	3000°k 30	18° 18R		
	White (RAL9010)	4200°k 42	30° 30R	Non Dimmable NDIM	
	Hard anodized titanium		50° 50R		
	Hard anodized black		45° x 10° 45x10R		
	Chlorine anodized titanium				
	Chlorine anodized black				
acdc1131					HCL



Specification subject to change without notice. Refer to our website for the most recent product documentation.

CONTACT



USA Office

acdcl Corp, 841 E Fort Ave, #276
Baltimore, MD 21230
USA

Tel: +1 (410) 220 0088
Email: sales@acdclighting.us

Head Office

Wordsworth House
Vantage Court, Riverside Way
Barrowford
Lancashire
UK
BB9 6BP

Tel: +44 (0) 845 862 6400
Fax: +44 (0) 845 862 6401
Email: sales@acdclighting.co.uk

Manufacturing (Europe)

Innovation Works
Gisburn Road
Barrowford
Lancashire
UK
BB9 8NB

Tel: +44 (0) 845 862 6400

London Studio

Ground Floor
Central Block
Green Mews
Bevenden Street
London
UK
N1 6AS

Sales Tel: +44 (0) 845 862 6400
Deliveries Tel: +44 (0) 845 862 6458
Email: london@acdclighting.co.uk

Dubai Office

Office 405, Goldcrest Executive Tower
Cluster C - Jumeirah Lakes Towers (JLT)
P.O. Box 643811
Dubai
United Arab Emirates

Tel: +971 (0) 4 3617365
Email: export@acdclighting.co.uk

Global Distribution Network

We have an established and growing global network of over 60 distributors and consider them a vital extension to our UK, Dubai and North American based team, to ensure that all customers receive the same outstanding level of world-class service and knowledge regardless of the location of your project.

For contact details of our distribution partners, please visit

acdclighting.us/contact/distribution-network/ or contact sales@acdclighting.us or call us at +1 (410) 220 0088